



工业风扇专业设计与制造商
EXPERT IN DESIGN AND MANUFACTURE OF FANS

 广东肇庆德通有限公司
GUANGDONG ZHAOQING DETON CO., LTD



Deton mobile station

Tel: +86-758-7788831 / 7787212 / 7787650

Fax: +86-758-7787112

E-mail: deton@detonfan.com

Website: zqdetonfan.com

Add: No.1 Deye Road Industrial Park, Decheng,Deqing, Guangdong, China

广东肇庆德通有限公司
GUANGDONG ZHAOQING DETON CO., LTD



High-Tech Enterprise
Guangdong Province Engineering Technology Research Center
Guangdong Province Enterprise Technology Center
Guangdong Province Famous Brand Products
Guangdong Province Famous Trademark
American AMCA Member



目录 CONTENTS

- 01 公司简介
Company Introduction
- 03 综合实力
The Comprehensive Strengths Of The Company
- 05 德通产品优势
Deton Products Advantages
- 07 工业大吊扇 ICF 系列
HVLS Ceiling Fan
- 09 雾化降温风扇系列
Misting Fan
- 13 工业强力风扇系列
Powerful Fan
- 19 商用风扇系列
Commercial Fan
- 23 台地式强力风扇系列
Powerful Floor Fan
- 27 岗位式圆筒风扇
Drum Fan
- 30 工业换气扇系列
Exhaust Fan
- 34 工业轴流风机系列
Axial Fan
- 39 屋顶风机系列
Roof Fan
- 41 圆形管道换气扇
Circular In-line Duct Fan



公司简介 Company Introduction

广东肇庆德通有限公司 是设计、生产、销售通风设备的专业厂家，20 万平方米大型生产厂房，1000 多名员工，拥有华南地区规模化的风机专业制造基地。产品主要涵盖环保除尘净化类风机、工业风机、空调风机、建筑通风机、工厂通风换气与岗位降温类风机、工业风扇和换气扇、雾化风扇等领域。

专业设计 德通 40 多年来一直专注于通风设备的研究与开发，被认定为“高新技术企业”，公司的技术中心被认定为“广东省企业技术中心”、“广东省工程技术研究开发中心”。与清华大学、西安交大、华中科大、美国 AMCA 技术协会建立了战略合作关系。

德通拥有先进的设计平台和丰富的研发数据库，利用 CFD 技术和先进的 CAD 软件，不断优化和提升产品性能、确保使用安全高效。最新开发的 KTF、DF55 等系列工业离心通风机效率达到国家一级能效标准。

专业制造 德通建立了完善的 CAM 生产加工系统，配备了高速光纤激光切割机、数控旋压机、数控冲床、数控折弯机、动平衡机、定子综合测试仪等专用设备，确保每个零件都得到精心制造。并按美国 AMCA210 标准建立了气动性能自动检测系统，具有开发和制造各类新型风机、工业风扇 100 万台的生产能力。

荣誉成果 近年来，德通先后荣获“广东省著名商标”、“广东省名牌产品”、“广东省出口名牌”等荣誉称号等，是美国 AMCA 会员，中国环境保护产业协会会员单位。公司先后获中小企业科技创新基金奖励 2 项；承担国家成果推广计划 1 项、国家火炬计划 3 项；产品被评定国家重点新产品 2 项；产品获得国家实用新型专利 50 多项；拥有软件著作权 3 项。

资质认证 德通建立了健全的质量保证体系，于 1999 年在行业内率先通过了 ISO9001 国际质量管理体系认证。德通多项产品通过了 CE、CB、ROHS、ERP、GS、UL、AMCA、SASO、SAA、G-mark、PAI、CCC 等认证。

市场拓展 德通现已在全国 20 多个省市建立了 1000 多个销售网点，产品出口亚洲、欧洲、美洲、非洲、澳洲等 100 多个国家和地区。

经营理念 德通以“关注顾客、以人为本、专心专业、诚信守诺”为经营理念，坚持走品牌之路，坚持以科技创新求发展，并以向社会提供高品质的产品和完善的服务为企业之使命。

Guangdong Zhaoqing Deton Co., Ltd. is a professional manufacturer with the ability of design, production and sales of ventilation equipment. It covers an area of 200,000 square meters and has more than 1000 employees. Deton owns the largest ventilation equipment manufacturing base in Southern China. Deton products cover a variety of areas, including environmental-protection and dedusting fans, industrial fans, air-conditioning fans, building ventilators, plant cooling fans, exhausting fans and misting fans.

Professional design

For over 40 years, Deton has been focusing on research and development of the ventilation equipment. Deton is identified as High-Tech Enterprise and its technical center identified as Guangdong Province Enterprise Technology Center and Guangdong Province Engineering Technology Research Center. Deton has established a strategic cooperative relationship with Tsinghua University, Xi'an Jiaotong University, Huazhong University of Science and Technology and American AMCA technology association. Deton has advanced design and development platform. Using CFD technology and advanced CAD software, Deton has continuously improved the products performance, and ensures the usage safety and high efficiency. The efficiency for the latest developed industrial centrifugal fans including series KTF and DF55 has met the requirements of National Energy Efficiency Standards I.

Professional manufacturing

Deton has established a perfect CAM production and processing system, we equip large high-speed optical fiber laser cutting machine, CNC spinning machine, CNC punch machine, CNC bending machine, dynamic balance machine, stator comprehensive tester and other special equipment to make sure every part should be elaborately manufactured. According to AMCA210 standard, Deton established the first domestic pneumatic performance automatic testing system. Deton has the ability of develop and manufacture various types of new fans and production capacity of 1 million sets of industrial fans.

Honor

Deton brand is identified as 'Guangdong Province Famous Trademark' and 'Guangdong Province Export Famous Brand', and Deton products are identified as 'Guangdong Province Famous Brand Products'. Now Deton has become a member of American AMCA, and a member of China environmental protection industry association. Deton has awarded twice by Science and Technology Innovation Fund for small and medium-sized enterprises, once by National Achievements Programme, and three times by National Torch Plan. Two of Deton products have been rated as the State's Important New Products. Deton products get national utility model patents for fifty items. And Deton has three software copyrights.

Certification

Deton established a sound quality assurance system. We get ISO9001 international quality management system qualification in 1999. A number of Deton products have passed the identification of CE, CB, ROHS, ERP, GS, UL, AMCA, SASO, SAA, G-MARK, and CCC.

Market Expanding

Deton has set over 1000 sales centers in more than 20 provinces and cities of China, and Deton products have been exported to over 100 countries and areas in Asia, Europe, America, Africa and Australia.

Management Principle

With the philosophy of 'Customer Focused, People Oriented, Concentrative & Professional, Honest & Faithful', Deton adheres to its own brand and science and technology innovation for its development, and provide high-quality products and perfect service to the community.



研发中心 Research Center



激光切割机 Laser Cutting Machine



测控中心 Measurement and Control Center



试验装置 Test Device

> 专业设计系统 Our Professional Designing System

- 以博士、硕士、高级工程师、工程师组成的专业技术人员队伍，是德通产品的专业设计开发的源动力。
- 流体机械与压缩机国家工程中心广东流体机械开发基地，广东省空调通风设备工程技术开发中心，广东省企业技术中心，三大研发机构是德通新产品诞生的摇篮。
- 风机辅助设计系统、换气扇设计系统、风机、换气扇专用电机开发系统是德通公司规模化生产最有力的支撑。
- 以完备的设计开发系统为后盾，专业设计人员为中坚，设计非标产品的快速反应能力为德通的一大特色。
- Our technical people consist of doctors, masters, senior engineers and engineers, they are our motivation in designing and producing specialized Deton products.
- Three research institutes: the National Engineering Center of Fluid mechanic, Compressor and Guangdong Fluid mechanic Development Center, and Guangdong Province Enterprise Technology Center are the cradles of Deton's new products.
- Three developing systems: blower model-choosing and designing system, ventilating fan designing system, and blower and ventilating fan's specialized motor developing system are the biggest support for Deton's mass-production.
- Backed up by complete designing and developing system and supported by specialized technical personnel enable Deton to quickly design non-standard products. This is also one of our characteristics.

> 专业制造系统 Our Professional Manufacturing System

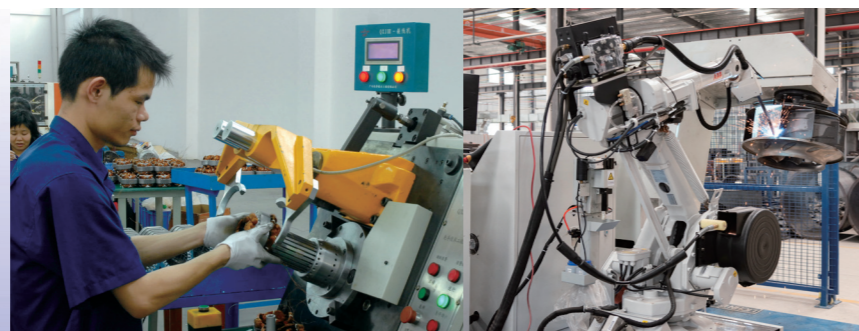
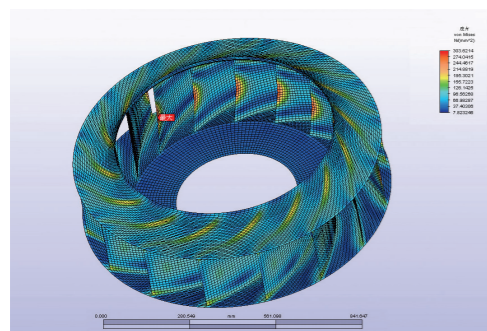
- 多年的风机专业制造，造就了一支经验丰富、技术熟练的技术人员和制造工人队伍。
- 集中、规模化的生产场地，成套、成组的生产设备，加上产品组装专用生产线、其专业制造名符其实。
- 非标产品制造的灵活机动、快速反应是专业生产制造系统最精彩的表现。
- 德通生产的电机在德通风机中专用，是高质量的可靠保证。
- For years specializing in blower production has bestowed us experienced and skilled technical workers and production workers.
- Concentrated and large-scale workshop, complete set of producing equipment and specialized product-assembling manufacturing process has made our products worthy of the same.
- The most excellent performance of our specialized producing system is the flexibility and quick-response of non-standard products.
- The motor made by Deton is exclusively used in Doton blowers and this guarantees the high-quality of our products.


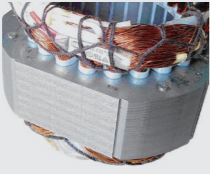

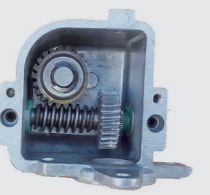


> 专业质量控制系统 Professional Quality-control System

- 德通获ISO9001:2008质量体系认证，并通过3C、CE、GS等多项各国认证，形成了德通产品高品质的体系保证。
- 完备先进的质量检测系统：风轮动静平衡检测校正系统，整机动平衡检测系统，换气扇全自动电脑检测线，电机专用电脑测试系统。
- 率先在全国空调风机行业建立第一个AMCA210标准的风机气动性能试验室，该实验室已通过国家通风风机能效自检实验室备案。
- Deton has gotten the certification of ISO9001: 2008 and achieved CE, GS, SAA, S-Mark, G-MARK, SASO, TISI, PSB certificates.
- Complete and advanced quality testing and correcting systems, the while machinery dynamic balance testing system, full-automatic computer testing line for ventilating fans and specialized computer testing system for motors.
- We set up the first air performance automatic testing laboratory for centrifugal fans in China complied with AMCA 210 standard and our testing laboratory had been put on records in state centrifugal fans energy-efficiency self-inspection testing laboratory.

> 专业销售服务系统 Professional Sales Service System

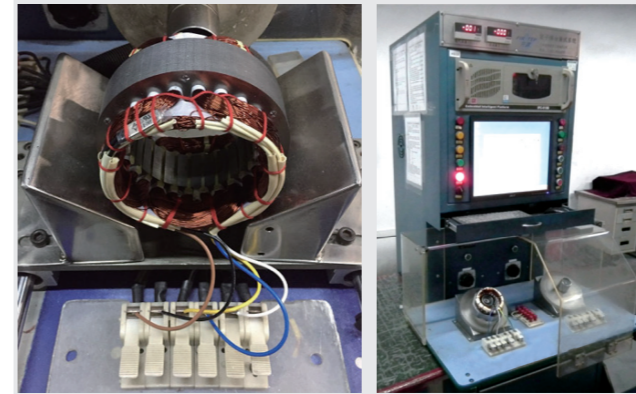
- 服务理念：快速反应、真诚服务。
- 售前专业工程师技术咨询、产品选型服务。
- 售中专业技术人员提供安装、使用培训和指导服务。
- 售后专职人员定期用户跟踪、回访服务。
- Service concept: quick response & sincere service.
- Technical consulting service and model-choosing service provided by specialized engineer before sales.
- Installation service, using training and directing services provided by specialized technical personnel during sales.
- Regular customer tracking and back-visit services provided after sales.



Parts	Deton	Other factories in China
core	 High class cold-rolled silicon steel sheet, energy loss is smaller, less than 50K temperature rise.	Normal iron steel sheet, energy loss is bigger, temperature rise is higher.
winding	 100% enameled copper wire, cooper wire grade is higher and buying from big company GREE, with higher insulation class.	Lower class copper wire, copper mix aluminum wire or only aluminum wire, these wire will shorten motor using life.
Oscillation overload protection	 Strong oscillating overload protection ability to protect the motor from burning.	No overload protection to protect the motor from burning.
Gear box	 Gears are made of durable aluminum alloy, and made by high precision machining with low running noise. It has overload protection inside to protect the fan motor from burning when being external blocked during oscillation. We are the first factory to make regulations to inspect the hardness of the gears. Our buying price is 40% higher than normal ones in the market.	Gears are made of iron, easy to rust and not last long. Poor precision machining causes higher noise during running. Do not have inspection regulations and quality control. Price is cheaper than us.
Bearing	 Ball bearing, performance is steady, can run 5000 hours continuously. The bearing bought from RENBEN, the biggest bearing factory in China. Price is 40% higher than others.	Oil bearing, can not continuously work for a long time for the oil is easy to dry. Or ball bearing bought from small factory with poor quality control and 40% cheaper in price.
Thermal protector	 Re-settable thermal protector, the fan will stop running to protect the motor from burning when the motor is too hot, and can be used again by restart after cooling down.	No thermal protector or one time thermal fuse, motor is very easy to burn down.
Blade	Die-casting aluminum blade, low noise, weight is 50%-70% heavier than other factories.	Die-casting aluminum blade, weight is 50%-70% lighter than ours.
Grill	Stronger grill with $\Phi 2.2\text{mm}$ diameter of net line.	Weaker grill with $\Phi 1.8\text{--}2\text{mm}$ diameter of net line.
Performance	Air volume is 1.5 to 2 times higher than similar products in the market.	Less air flow.

德通产品从半成品到成品有三道全检和一次抽检

Deton products have passed three times full inspection and one random sampling inspection by QC before being sent into the warehouse.



Coil inspection one by one



Final product inspection one by one



Motor inspection one by one



Random sampling inspection

> 工业大吊扇 ICF 系列

HVLS Industrial Ceiling Fan

- 配套永磁外转子电机，高效节能、重量轻、可无极调速
- 风叶采用高升阻比航空翼型设计，风量大、效率高、风压分布均匀，覆盖面积大
- 叶片采用航空复合材料制造，重量轻、安全性高、易安装；
- 产品采取十二道安全防护，更安全耐用。
- 适用于：厂房车间、物流仓储、健身房、体育馆、会展中心，大型商场，车站等降温通风

- Matching permanent magnet external rotor motor, high efficiency and energy saving, light weight and stepless speed regulation.
- Blade is designed with high lift-resistance ratio aviation airfoil with large air volume, high efficiency, uniform air pressure and large coverage area.
- Blade is made of aviation polymer composite material with light weight, high safety and easy installation;
- The product adopts 12 safety protection, making it safer and more durable.
- Suitable for workshop, logistics storage, gymnasium, stadium, exhibition center, shopping mall and station etc. for ventilation and cooling.



型号 Model	规格 Diameter of blade (m)	额定电压 Voltage (V)	电流 Current (A)	功率 Power (W)	风量 Airflow (m³/min)	转速 Speed (rpm)	噪音 Noise (dB)	覆盖面积 Air covering Area(m²)	最佳使用面积 Optimum use Area(m²)	电机 IP IP Rating	认证 Approval
ICF-73H	7.3	220V-240V or 100V-127V	5	1250	17800	56	39	1375	840	IP65	CE CB
ICF-65H	6.5	220V-240V or 100V-127V	4.2	1100	14900	66	39	1100	650	IP65	
ICF-55H	5.5	220V-240V or 100V-127V	2.9	850	12000	80	39	800	450	IP65	
ICF-49H	4.9	220V-240V or 100V-127V	2.3	720	10500	85	39	700	360	IP65	
ICF-43H	4.3	220V-240V or 100V-127V	1.5	480	8500	90	39	610	250	IP65	
ICF-40H	4.0	220V-240V or 100V-127V	1.4	420	7500	95	39	550	220	IP65	

> 商业大吊扇

HVLS Commercial Ceiling Fan

- 产品经过专业化造型设计，整体外观新颖时尚。
- 采用稀土钕铁硼永磁同步外转子电机，直接驱动扇叶。
- 叶片采用高强度铝合金材料，高升阻比航空翼型设计。
- 安装吊架采用可调节结构，自动调节垂直度。
- 产品采用一体式变频器，安装、操作、维护等较便捷。
- 适用于家庭、教室、办公室、商店、医院、超市和宾馆等众多公共场所，作防暑降温、通风换气、改善环境之用。



控制盒
Controller

- Professional modern design, novel and fashionable appearance
- Rare earth NdFeB permanent magnet external rotor motor to drive the fan blade directly.
- Blade is made of high strength aluminum alloy material, high lift-resistance ratio aviation airfoil design.
- The installation hanger adopts an adjustable structure to automatically adjust the verticality.
- Adopts integrated inverter for convenient installation, operation and maintenance.
- Suitable for home, classrooms, offices, shops, hospitals, supermarkets, hotels and many other public places, for heat prevention, ventilation and improving the environment.

型号 Model	规格 Diameter of blade (m)	额定电压 Voltage (V)	电流 Current (A)	功率 Power (W)	风量 Airflow (m³/min)	转速 Speed (rpm)	噪音 Noise (dB)	覆盖面积 Air covering Area(m²)	最佳使用面积 Optimum use Area(m²)	电机 IP IP Rating	认证 Approval
ICF-42E	4.2	220V-240V or 100V-127V	1.25	340	6750	70	39	465	185	IP44	CE
ICF-36E	3.6	220V-240V or 100V-127V	1.2	325	5850	85	39	425	165	IP65	
ICF-30E	3.0	220V-240V or 100V-127V	0.72	260	5250	110	39	330	115	IP65	
ICF-25E	2.5	220V-240V or 100V-127V	0.35	150	3600	120	39	225	56	IP65	

5 大核心技术

Five Core Technologies



- #### 1) 动力技术
- 永磁外转子电机，高效节能、体积小重量轻；
 - (专利) 迷宫式防尘结构，阻止灰尘进入电机核心部位；
 - (专利) 电机内核散热系统，温升低，使用寿命长。

- #### 1) Power Technology
- Permanent magnet external rotor motor, high efficiency and energy saving, small volume and light weight;
 - (patent) labyrinth type dust-proof structure to prevent dust from entering motor core part;
 - (patent) motor core heat dissipation system, low temperature rise, long service life.



- #### 2) 扇叶技术
- 采用高升阻比航空翼型设计，强度高、重量轻、耐冲击、抗老化、使用寿命长。
 - 专利设计翼尖导流板(减少涡旋)，能有效降低噪声。

- #### 2) Blade Technology
- Blade design of high lift-resistance ratio aviation airfoil with high strength, light weight, impact resistance, anti-aging and long service life.
 - Patent designed wing tip guide plate to reduce vortex and effectively reduce noise.



- #### 3) 安全技术
- 采用 12 大安全防护设计
 - 钢梁锁紧安全结构防护。
 - 吊架安全钢索防护。
 - 电机主轴安全支架防护。
 - 电机端盖防脱落安全结构防护。
 - 电机内台阶式倒扣安全设计。
 - 永磁体自锁安全保护。
 - 加强型叶片安装支架
 - 叶片安全连杆机构防护
 - 控制系统过载保护。
 - 12.9 级高强度紧固件。
 - 防松垫片 + 螺纹防松胶双重防松保护。
 - 叶片采用高分子非金属复合材料制作，耐冲击、不易折断。

- #### 3) Safety Technology
- Adopt 12 major safety protection designs.
 - Steel beam locking safety structure protection.
 - Hanger safety steel cable protection.
 - Motor shaft safety bracket protection.
 - Anti-drop safety structure protection in the motor end cover.
 - Step lock safety design inside the motor.
 - Permanent magnet self-locking safety protection.
 - Reinforced blade mounting bracket.
 - Blade safety link mechanism protection.
 - Control system overload protection.
 - Grade 12.9 high strength fasteners.
 - Anti-loosening washer and thread anti-loosening glue achieve at double protection.
 - The blade is made of non-metal polymer composite material, which is impact resistant and not easy to break.



- #### 4) 控制技术
- 与专业变频器厂家合作开发，具备过流保护、过压 / 欠压保护、过载保护，与风扇有效匹配。启动、加速、减速、停止柔和无冲击，能有效抑制振动和噪声。

- #### 4) Control Technology
- Developed in cooperation with professional manufacturer of frequency converter, with over-current protection, over-voltage / under-voltage protection, overload protection, and effective matching with fans. Start, accelerate, decelerate, stop softly without impact, it can effectively reduce vibration and noise.



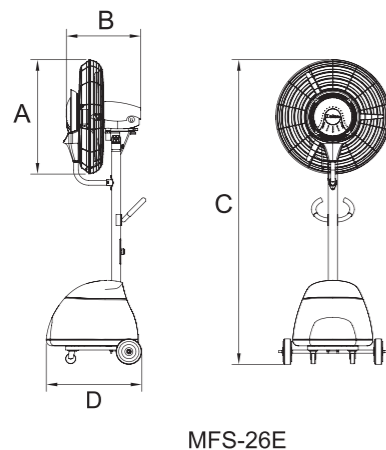
- #### 5) 尾翼技术
- 安装特殊设计翼尖导流板
 - 有减少空气在运动中流线型的扇叶末端形成涡流
 - 减少涡流造成的能量损失，提高效率；运转稳定有效降低噪声

- #### 5) Wingtip Technology
- Install patent designed wingtip guide plate
 - Effectively reduce the air to be vortex in the movement of the end of streamlined blade
 - Reduce the energy loss caused by vortex and improve efficiency; Stable operation effectively reduces noise

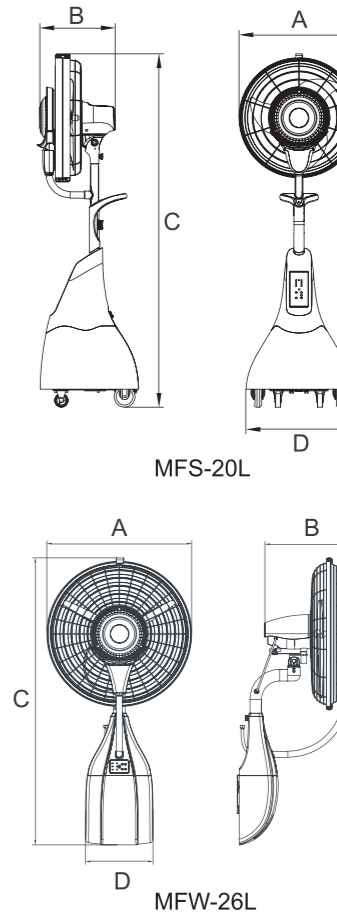
雾化降温风扇
Misting Fan

- 离心式雾化系统，无需喷嘴和滤水装置。
 - 雾化量大小可随意调节，噪音低。
 - 喷雾与送风功能分别由独立的电机带动运行，使用方便，维护简单。
 - 风扇表面采用树脂粉末喷涂，防锈性能好，经久耐用。
 - 电机低温升设计，采用冷轧硅钢片，铜漆包线圈包，内置可复位热保护器，确保运行稳定，使用寿命长，过载能力强。
 - 水泵配有保护装置以防水箱内水耗尽时烧坏水泵。
 - 90° 摇头调节，三档调速。
 - 防水电气设计，使用安全。
 - 适用于露台，工厂，生产线，农场，停车场，运动场，温室花房等降温加湿。
- Centrifugal misting system means no nozzles and filter needed.
 - Adjustable misting volume, low noise.
 - Air supplying, misting and oscillating functions are driven by different motors, convenient to use and easy to maintain.
 - Fan surface is epoxy resin coated, anti-rust and durable.
 - The motor is low temperature-rise designed, adopts cold-rolled silicon steel sheet and pure copper winding, and it has a re-settable thermal protector, which ensure stable performance, long service life and strong overload capacity.
 - Water pump adopts protective device to protect it from burning out when water running out.
 - 90° left and right oscillation angle, three speeds.
 - Waterproof electric design, safe to use.
 - Designed for cooling large areas such as patios, factories, manufacturing facilities, farms, garages, athletic fields, greenhouses and more.

外形尺寸图
Outline dimensions



外形尺寸图
Outline dimensions



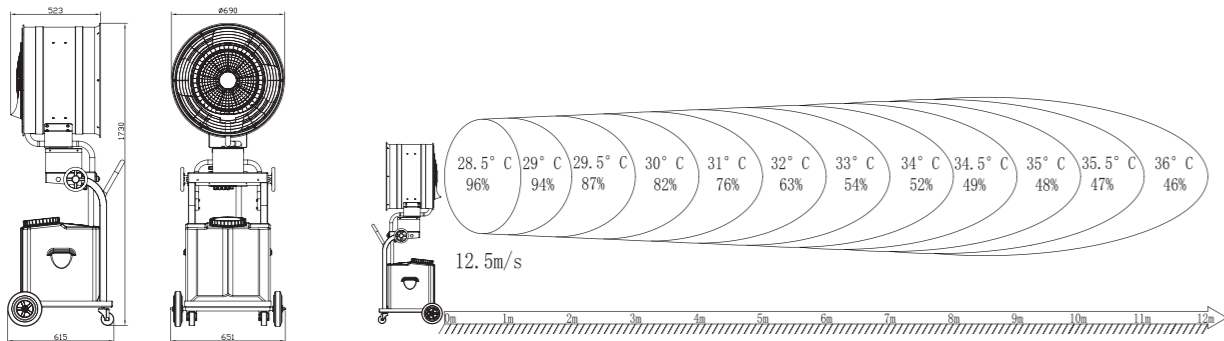
型号 Model	规格 Diameter of blade (mm)	尺寸 A/B/C/D Outline dimensions (mm)	额定电压 Voltage & frequency	水箱容积 Tank capacity (L)	最大雾化量 Max misting Volume (L/h)	使用时间 Using hours for one tank of water (H)	档位 Speed	功率 Power (W)	转速 Speed (rpm)	风量 Air volume (m ³ /min)	噪音 Noise (dB)	认证 Certificates
MFS-26E	650/26"	715/435/1930/612	220V/50Hz	48	5	9-15	低档/low	210	1100	143	55	CE CB SASO G-MARK RoHS ERP
							中档/medium	220	1250	174	60	
							高档/high	240	1400	220	68	
MFS-20L	500/20"	572/372/1685/505	220V/50Hz	15	2.8	5-8	低档/low	150	1000	65	50	
							中档/medium	160	1200	78	53	
							高档/high	180	1400	96	58	
MFW-26L	650/26"	726/473/1435/340	220V/50Hz	7	3.5	continuous use	低档/low	210	1100	143	55	
							中档/medium	220	1250	174	60	
							高档/high	240	1400	220	68	

> 手推轴流雾化风机
Axial Misting Fan

- 雾程超远
 - 雾化量大
 - 防水设计
 - 移动方便
 - 左右摇头
 - 俯仰调节
 - 脚轮可锁
 - 适用于工地、养殖场、工厂车间、户外运动场等降温加湿。
- Long Misting Distance
 - Large Misting Volume
 - Waterproof Design
 - Convenient Movement
 - Oscillation 90 degree
 - Adjustable Pitching Angle
 - Safety Lovked Wheel
 - Designed for cooling large areas such as construction site, farm, factory warehouse, sports field.



外形尺寸图
Outline dimensions



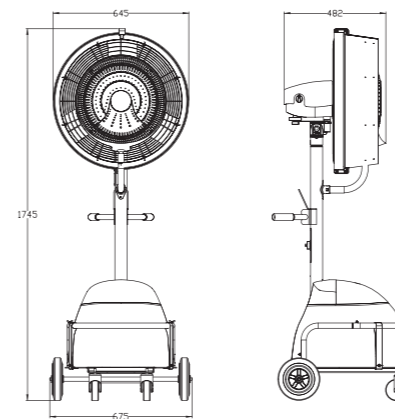
型号 Model	规格 Diameter of blade (mm)	尺寸 A/B/C/D/H Outline dimensions (mm)	额定电压 Voltage & frequency	水箱容积 Tank capacity (L)	最大雾化量 Max misting Volume (L/h)	使用时间 Using hours for one tank of water (H)	功率 Power (W)	转速 Speed (rpm)	风量 Air volume (m ³ /min)	噪音 Noise (dB)
AMF-60	650	690/523/615/651/1730	220V/50Hz	90	10	9	800	910	160	90

> 雾化降温风扇
Misting Fan

- 采用优化设计的加大离心式雾化系统，雾化量大、雾粒小。
 - 设置有锥形导流网环及导流板，有效增加吹风距离及雾化覆盖范围。
 - 具有防水电气设计，使用安全，配置手推车，移动轻捷。
 - 雾化和送风分别由不同的电机带动运行，可分别独立控制雾化与送风功能。
 - 雾化效果好，不滴水，并可随意调节雾化大小；水泵带水位检测功能，避免缺水干烧，使用安全可靠。
 - 配备摇头装置，吹风角度可调节，使用方便。
 - 具有三档调速，雾化功能与摇头功能独立控制。
 - 表面采用户外聚酯喷涂，防锈性能好，经久耐用。
- Adopt optimized centrifugal misting system with large mist volume and small fog particles.
 - Conical diversion ring and diversion plate are set up to effectively increase the blowing distance and mist coverage range.
 - With rain-proof electrical design, safe to use, and equipped with handcart for light movement.
 - Misting and air supplying are driven by different motors, which can control the misting and air supplying functions independently.
 - Good misting effect without water dropping and adjustable misting volume; water pump with water level detection function to avoid water shortage and dry burning, safe and reliable to use.
 - Oscillation function and adjustable blowing angle for easy use
 - Three speeds, independent control for misting and oscillation function
 - Outdoor polyester spraying surface with good rust prevention performance and durability.



外形尺寸图
Outline dimensions



型号 Model	规格 Diameter of blade (mm)	尺寸 A/B/C/D/E/F/G/H/K/L Outline dimensions (mm)	水箱容积 Tank capacity (L)	最大雾化量 Max misting Volume (L/h)	档位 Speed	功率 Power (W)	转速 Speed (rpm)	风量 Air volume (m ³ /min)	噪音 Noise (dB)
MFS-23L	575/23"	645/482/1745/675	48	10	低档 /low	285	1100	143	58
					中档 /medium	295	1250	174	62
					高档 /high	320	1400	220	70

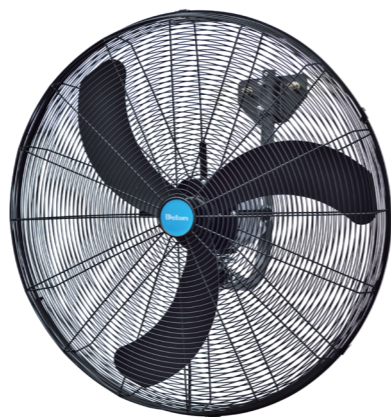
> NSF & NWF 系列强力风扇

NSF & NWF Series Powerful Fan (DC motor)

- 电机采用永磁无刷直流电动机 (EC 电动机), 电动机效率可达 80%, 温升低, 节能效果显著; 采用软启动技术, 无电流冲击; 内置软件过电流保护功能和硬件过电流保护功能, 不会烧坏电动机绕组, 产品使用寿命更长。
 - 三维前掠刀形机翼风叶, 风量大、噪声低、风力柔和。
 - 采用 5 档调速, 调速范围宽 (700 转 ~1450 转)。
 - 安全认证的风网, 保护好, 安全可靠。
 - 底座流线型设计, 跨度大, 稳定性高, 可升降立柱。
 - 0~90 度可调摇头角度吹风。
 - 全金属齿轮带过载保护摇头波箱, 经久耐用。
 - 使用范围广, 适用于车间、仓库、广场、餐饮行业等场所作防暑降温、通风换气、改善环境。
- By using permanent magnet brushless DC motor-Electrical Commutation motor, efficiency reaches 80%, and the motor with low temperature rise and remarkable energy-saving effect. Adopting soft-start technology, no transient current impact. Built-in software and hardware over-load protection avoids motor winding burning, and keeps longer service life.
- Adopting three-dimensional airfoil blade, big air volume, low noise, and soft wind.
 - 5 speeds, wide speed adjustable range 700rpm to 1450rpm.
 - Certified grill ensures safety use.
 - Streamlined designed base with high stability, and height of stand pole adjustable.
 - Oscillation angle 0 to 90 degrees.
 - Gear box with overload protection, durable in use.
 - Widely used for cooling and ventilation in workshops, warehouses, squares, restaurants and more.



NSF Series Stand Powerful Fan



NWF Series Wall Power Fan



电动机 Motor



定子 Stator



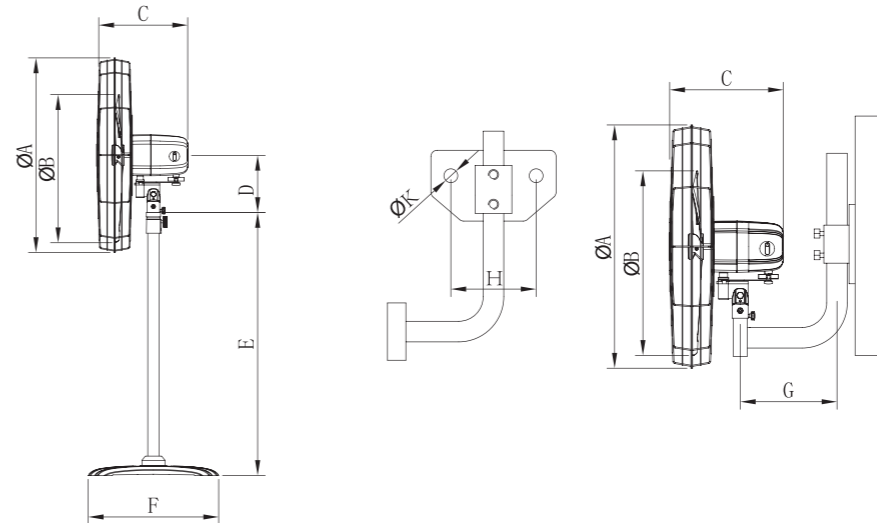
转子 Rotor



控制板 Control panel

外形尺寸图

Outline dimensions



高效强力风扇 High Efficiency Powerful Fan										
型号 Model	规格 Diameter of blade (mm)	尺寸 A/B/C/D/E/F/G/H/K Outline dimensions (mm)			档位 Speed	功率 Power (W)	转速 Speed (rpm)	风量 Air volume (m ³ /min)	噪音 Noise (dB)	认证 Certificates
NSF-50D	500/20"	560/500/330/205/820/568/245/125/13.5			低档 /low	80	1150	110	48	CE CB SASO G-MARK RoHS
NWF-50D					中档 /medium	85	1250	125	50	
					高档 /high	110	1400	140	54	
NSF-60D	600/24"	660/600/345/205/820/568/245/125/13.5			低档 /low	140	1150	160	52	
NWF-60D					中档 /medium	145	1250	180	55	
					高档 /high	160	1400	210	61	
NSF-65D	650/26"	715/650/345/205/970/632/245/125/13.5			低档 /low	145	1150	165	55	
NWF-65D					中档 /medium	150	1250	190	59	
					高档 /high	170	1400	240	66	
NSF-75D	750/30"	815/750/350/205/970/632/245/125/13.5			低档 /low	185	1150	250	58	
NWF-75D					中档 /medium	200	1250	295	68	
					高档 /high	220	1400	330	72	

高效变频强力风扇 High Efficiency Powerful Fan with DC Motor											
型号 Model	规格 Diameter of blade (mm)	尺寸 A/B/C/D/E/F/G/H/K Outline dimensions (mm)			档位 Speed	功率 Power (W)	转速 Speed (rpm)	风量 Air volume (m ³ /min)	噪音 Noise (dB)	电机效率 Efficiency	认证 Certificates
NSF-65E	650/26"	715/650/345/205/970/632/245/125/13.5			1	20	700	80	52	74%	CE CB SASO G-MARK RoHS ERP ECO
					2	42	900	120	56	77%	
					3	60	1100	160	60	78%	
NWF-65E	715/650/345/205/970/632/245/125/13.5			4	95	1300	190	64	80%		
				5	125	1450	240	67	80%		
NSF-75E	750/30"	815/750/350/205/970/632/245/125/13.5			1	24	700	110	52	75%	
					2	48	900	160	58	78%	
					3	78	1100	230	63	80%	
NWF-75E	815/750/350/205/970/632/245/125/13.5			4	125	1300	290	67	81%		
				5	180	1450	330	72	81%		



(20", 24", 26", 30")

(20", 24", 26", 30")



(拉绳开关 / pull cord switch)

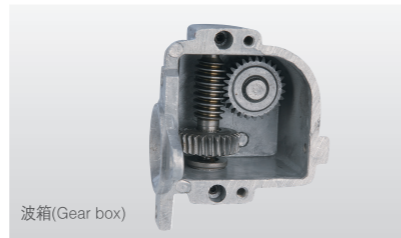


(20", 24", 26", 30")



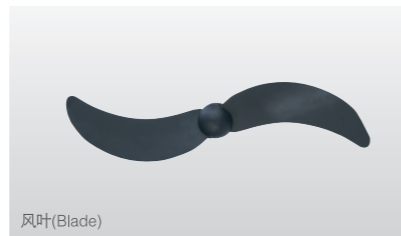
电机(Motor)

电机 — 温升低, 经久耐用
Motor — Low temperature rise and durable



波箱(Gear box)

波箱 — 内置过载保护装置
Gear box — Built-in overload protection device



风叶(Blade)

风叶 — 铸铝风叶, 风力强劲
Blade — Aluminum blade with large air volume



(20", 24", 26", 30")

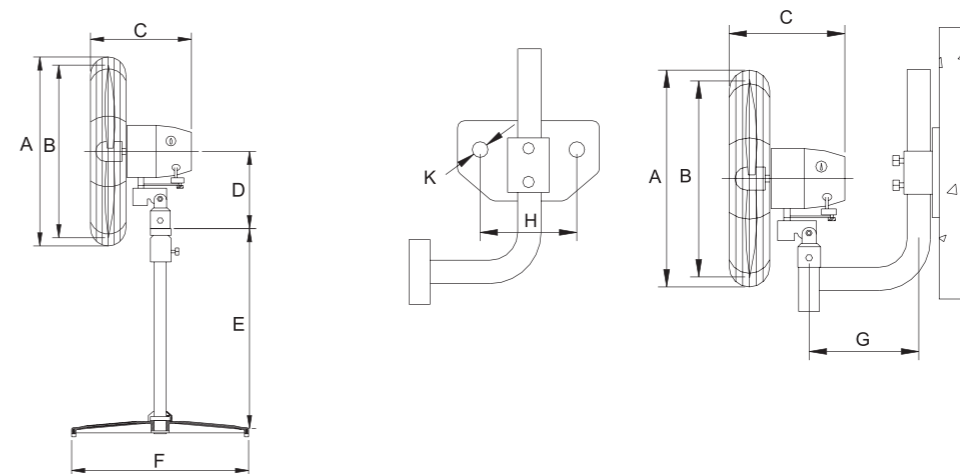
> DF 系列强力电风扇

DF Series Stand & Wall Powerful Fan

- 优化的风叶结构, 压铸铝风叶
- 风量大, 比市面上的同类产品高 1.5~2 倍, 噪音低
- 电动机铁芯采用冷轧硅钢片, 铜漆包线, 损耗小, 低于 50K 温升设计, 过载能力强。
- 电动机采用优质低噪音全金属波箱, 内置可复位热保护器, 运行稳定, 能连续运行 5000 小时。
- 有三档调速, 两叶 / 三叶可供选择。挂墙式风扇可加价购买拉绳开关。
- 适用于工矿企业, 车间, 仓库等场所作防暑降温, 通风换气, 改善环境之用。
- Optimized blade structure, die-casting aluminum blade.
- Large air volume, 1.5 to 2 times larger than similar products in the market, low noise.
- The motor adopts cold-rolled silicon steel sheet, copper enameled wire, less than 50K temperature rise design, with excellent overload capacity.
- The motor uses high quality low noise metal gear box and built-in re-settable thermal protector to ensure stable operation, the fan can run 5000 hours continuously.
- Three speeds, oscillation angle adjustable, two or three blades is optional, pull cord switch for wall fan can be added with additional price.
- Used for cooling and ventilation in factories, workshops, warehouses, and more.

外形尺寸图

Outline dimensions



型号 Model	规格 Diameter of blade (mm)	尺寸 A/B/C/D/E/F/G/H/K/L Outline dimensions (mm)	额定电压 Voltage & frequency	档位 Speed	功率 Power (W)	转速 Speed (rpm)	风量 Air volume (m ³ /min)	噪音 Noise (dB)	认证 Certificates
DF500-T	500/20"	560/500/360/205/765/550/—/—/—/1320	220V/50Hz	低档/low	75	1100	95	48	CE CB SAA G-MARK RoHS ERP SASO
DF500-TW				中档/medium	80	1250	116	50	
				高档/high	115	1400	130	55	
DF600-T	600/24"	660/600/360/205/765/550/—/—/—/1320	220V/50Hz	低档/low	120	1100	125	52	
DF600-TW				中档/medium	130	1250	150	56	
				高档/high	170	1400	195	62	
DF650-T	650/26"	715/650/360/205/965/600/—/—/—/1520	220V/50Hz	低档/low	142	1100	150	55	
DF650-TW				中档/medium	160	1250	174	60	
				高档/high	187	1400	220	68	
DF750-T	750/30"	815/750/360/205/965/600/—/—/—/1520	220V/50Hz	低档/low	175	1100	214	58	
DF750-TW				中档/medium	195	1250	270	70	
				高档/high	240	1400	302	75	
DF850-T	850/34"	915/840/370/210/965/710/250/125/13/1520	220V/50Hz	低档/low	255	1100	255	68	
DF850-TW				中档/medium	283	1250	320	82	
				高档/high	350	1400	360	88	

> DFP 系列强力风扇
DFP Series Stand & Wall Powerful Fan

- 优化的风叶结构，压铸铝风叶
- 风量，噪音低
- 电动机铁芯采用冷轧硅钢片，铜漆包线，损耗小，低于50K 温升设计，过载能力强。电动机采用优质低噪音全金属波箱，内置可复位热保护器，运行稳定，能连续运行 5000 小时。
- 有三档调速，摇头角度可调。
- 两叶 / 三叶可供选择。座地式的风扇可选择铁底座，或能过 0.8 米跌落测试的塑料底座；挂墙式风扇可加购买拉绳开关。
- 适用于工矿企业，车间，仓库等场所作防暑降温，通风换气，改善环境之用。

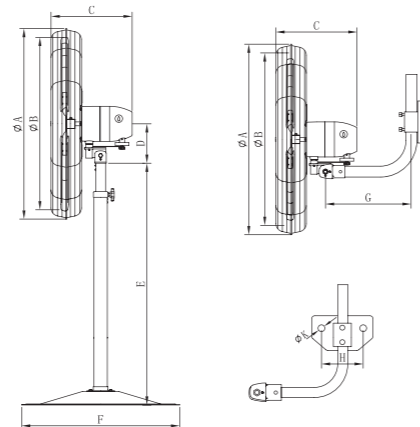
- Optimized blade structure, die-casting aluminum blade.
- Large air volume, low noise.
- The motor adopts cold-rolled silicon steel sheet, copper enameled wire, less than 50K temperature rise design, with excellent overload capacity. The motor uses high quality low noise metal gear box and built-in re-settable thermal protector to ensure stable operation, the fan can run 5000 hours continuously.
- Three speeds, oscillation angle adjustable.
- Two or three blades is optional. Metal base or plastic base (can pass 0.8 meter's drop test) is optional for stand type; pull cord switch can be added with additional price for wall fan.
- Used for cooling and ventilation in factories, work-shops, warehouses, and more.



拉绳开关
pull cord switch for option

外形尺寸图

Outline dimensions



型号 Model	规格 Diameter of blade (mm)	尺寸 A/B/C/D/E/F/G/H/K/L Outline dimensions (mm)	额定电压 Voltage & frequency	档位 Speed	功率 Power (W)	转速 Speed (rpm)	风量 Air volume (m ³ /min)	噪音 Noise (dB)	认证 Certificates
DFP500-T	500/20"	560/500/360/205/765/550/—/—/—/1320	220V/50Hz	低档 /low	90	1100	85	48	CE CB SAA G-MARK RoHS SASO ERP ECO
DFP500-TW		560/500/360/—/—/—/250/125/13/—		中档 /medium	95	1250	105	50	
				高档 /high	120	1400	120	55	
DFP600-T	600/24"	660/600/360/205/765/550/—/—/—/1320	220V/50Hz	低档 /low	110	1100	115	52	
DFP600-TW		660/600/360/—/—/—/250/125/13/—		中档 /medium	120	1250	135	56	
				高档 /high	150	1400	175	62	
DFP650-T	650/26"	715/650/360/205/965/600/—/—/—/1520	220V/50Hz	低档 /low	120	1100	135	55	
DFP650-TW		715/650/360/—/—/—/250/125/13/—		中档 /medium	135	1250	160	60	
				高档 /high	160	1400	195	68	
DFP750-T	750/30"	815/750/360/205/965/600/—/—/—/1520	220V/50Hz	低档 /low	160	1100	195	58	
		815/750/360/—/—/—/250/125/13/—		中档 /medium	175	1250	245	70	
DFP750-TW				高档 /high	220	1400	270	75	

> DFK 系列强力电风扇 (宽叶型)
DFK Series Powerful Fan

- 流线型的铝制风叶，风量强劲，噪音低。
- 电动机采用冷轧硅钢片，纯铜绕组，内置可复位热保护器，低于 50K 温升设计，过载能力强。全金属齿轮带过载保护摇头波箱，经久耐用，运行稳定，能连续运行 5000 小时。
- 加大加厚立柱通和升降通，结构牢固，加大加重圆形铁底座，稳定性好。
- 有三档调速，高度可调，送风角度 0~90 度可调。

- Streamlined aluminum blade, large air volume and low noise.
- The motor adopts cold-rolled silicon steel sheet, copper enameled wire, less than 50K temperature rise design, with excellent overload capacity. The motor uses high quality low noise metal gear box and built-in re-settable thermal protector to ensure stable operation, the fan can run 5000 hours continuously.
- Strong stand pole and big round iron base, with good stability.
- Three speeds, height adjustable, oscillation adjustable within 0~90°
- Used for cooling and ventilation in factories, work-shops, warehouses and more.

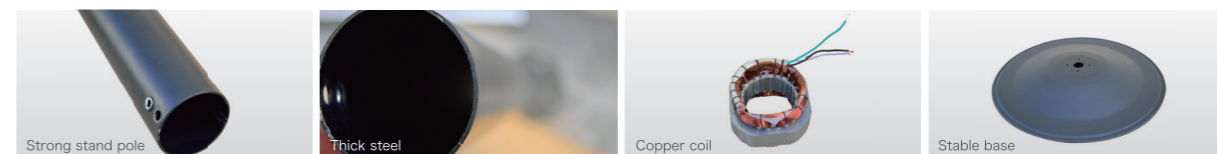
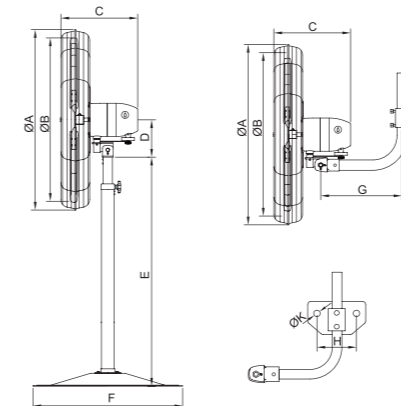


(26", 30")

(26", 30")

外形尺寸图

Outline dimensions



型号 Model	规格 Diameter of blade (mm)	尺寸 A/B/C/D/E/F/G/H/K Outline dimensions (mm)	额定电压 Voltage & frequency	档位 Speed	功率 Power (W)	转速 Speed (rpm)	风量 Air volume (m ³ /min)	噪音 Noise (dB)	认证 Certificates
DFK600-T	600/24"	660/600/350/170/1415/605/—/—/1813	220V/50Hz	低档 /low	138	750	125	52	G-MARK SASO
DFK600-TW		660/600/350/—/—/—/250/125/13		中档 /medium	155	850	150	56	
				高档 /high	170	910	195	62	
DFK650-T	650/26"	715/650/350/170/1415/605/—/—/1838	220V/50Hz	低档 /low	142	750	143	55	
DFK650-TW		715/650/350/—/—/—/250/125/13		中档 /medium	160	850	174	60	
				高档 /high	187	910	220	65	
DFK750-T	750/30"	815/750/350/170/1415/680/—/—/1888	220V/50Hz	低档 /low	175	750	214	58	
		815/750/350/—/—/—/250/125/13		中档 /medium	195	850	270	67	
DFK750-TW				高档 /high	240	910	302	68	

> 商用风扇
Commercial Fan

- 流线型三叶铝质风叶设计, 低噪音, 风力强劲, 送风均匀、柔和。
- 电动机铁芯采用冷轧硅钢片、铜漆包线, 损耗小, 低于 50K 温升设计, 过载能力强。电动机采用优质低噪音滚珠轴承, 内置可复位热保护器, 运行稳定, 能连续运行 5000 小时。
- 金属齿轮微电机控制摇头机构, 经久耐用。
- 送风俯仰角度可调, 具有摇头功能, 送风面积大。
- 三档风速选择, 送风高度可调。
- 采用铁底座, 安全稳固。
- 操作简单, 使用方便。
- 外观新颖, 色调高雅, 工艺精良
- 是家居, 办公室, 宾馆, 商场等场所通风纳凉理想之选。

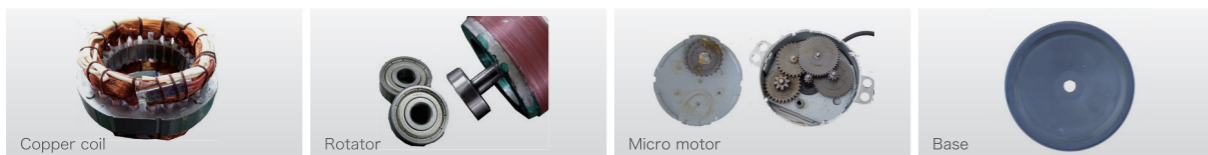
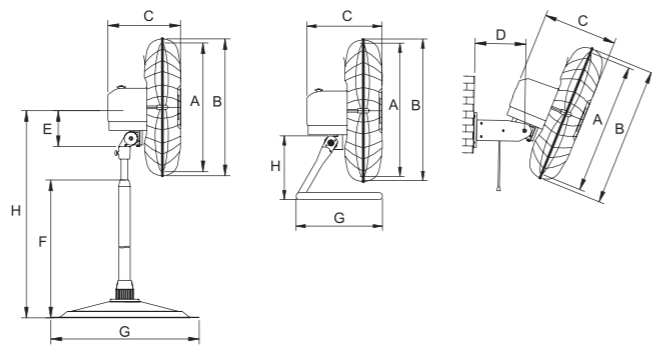
- Streamlined aluminum blade, low noise, large air volume, and soft air supply.
- The motor adopts cold-rolled silicon steel sheet, copper enameled wire with very small loss, less than 50K temperature rise design, with excellent overload capacity. The motor uses high quality low noise ball bearing and built-in re-settable thermal protector to ensure stable operation. The fan can run 5000 hours continuously.
- Durable oscillation mechanism controlled by metal gears micro motor.
- Air supply pitching angle adjustable, with oscillation function, provides large wind supply area.
- Three speeds, height of the stand fan adjustable.
- Adopts metal base, safe and secure.
- Easy to use.
- Modern appearance, elegant color, and excellent craft. Ideal choice for cooling at home, or in offices, hotels, stores, restaurants, and more.



Industrial grill
(18", 20")

Domestic grill
(18", 20")

外形尺寸图
Outline dimensions



型号 Model	规格 Diameter of blade (mm)	尺寸 A/B/C/D/E/F/G/H Outline dimensions (mm)	额定电压 Voltage & frequency	档位 Speed	功率 Power (W)	转速 Speed (rpm)	风量 Air volume (m ³ /min)	噪音 Noise (dB)	认证 Certificates
45T-S	450/18"	450/510/273/-/155/760/505/1380	220V/50Hz	低档 /low	55	1050	78	48	CE CB SAA ERP G-MARK RoHS SASO ECO
				中档 /medium	60	1250	98	50	
				高档 /high	75	1400	115	55	
50T-S	500/20"	500/560/273/-/155/760/505/1380	220V/50Hz	低档 /low	80	1050	120	48	
				中档 /medium	90	1250	150	50	
				高档 /high	110	1400	190	55	

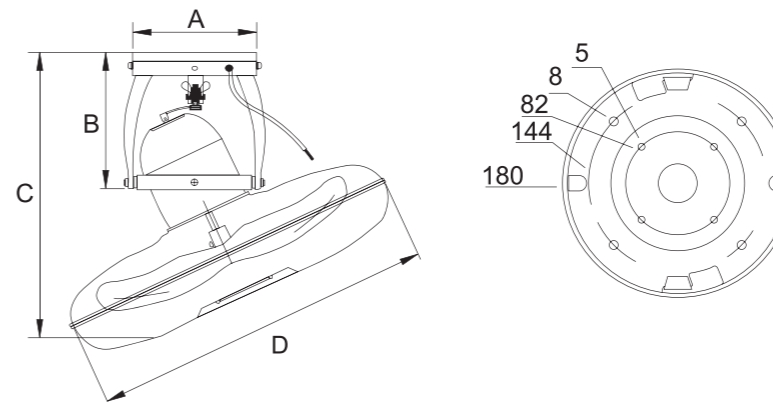
> XDF 吸顶风扇
XDF-45 Orbit Fan

- 全金属结构
- 流线型风叶, 风量大, 噪音低
- 微电机控制摇头机构, 经久耐用
- 电机温升低, 产品使用寿命长, 过载能力强
- 360 度旋转送风, 三种吹风范围调节, 三档调速
- 是室内防暑降温的电器佳品, 特别适用于学校, 宾馆, 商场, 车站, 娱乐场所等。
- Full metal structure.
- Streamlined blade, large air volume, low noise.
- Oscillation mechanism controlled by micro motor, with durability.
- Low temperature-rise designed motor ensures long service life and strong over-loading capacity.
- 360° rotary direction, adjustable blowing angle, three speeds.
- The best choice for cooling and ventilation in offices, schools, hotels, supermarkets, bus stations and more.



XDF-45 吸顶风扇
(18")

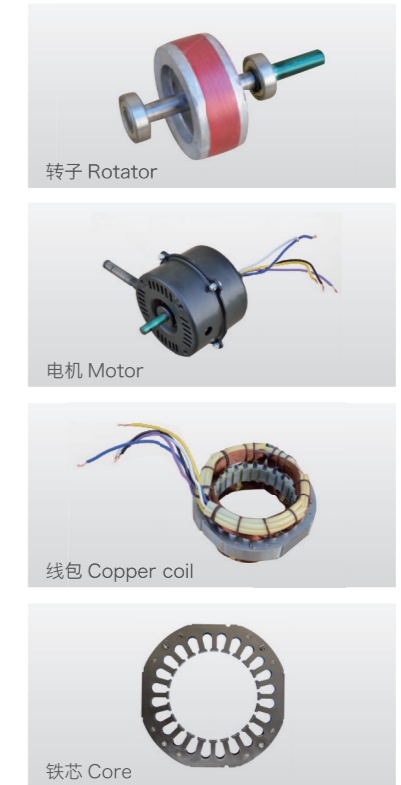
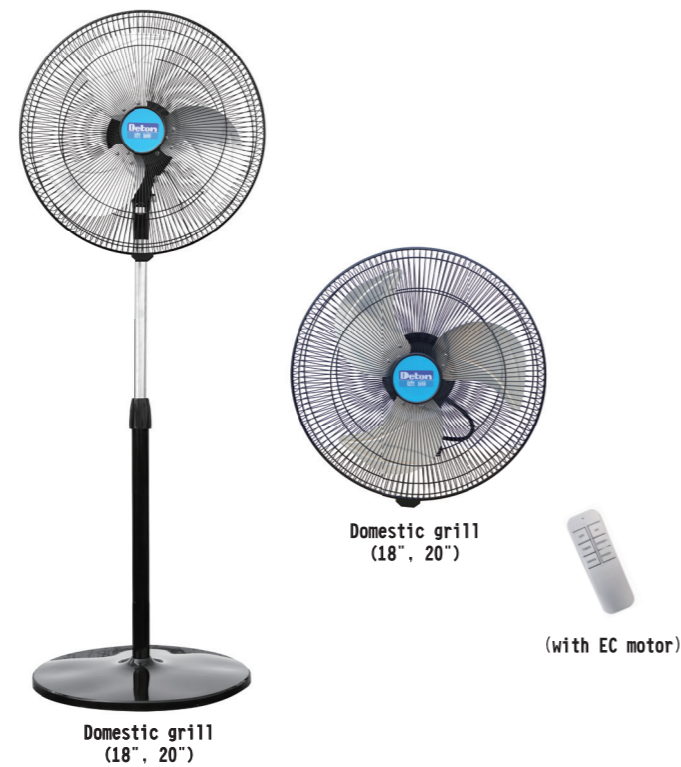
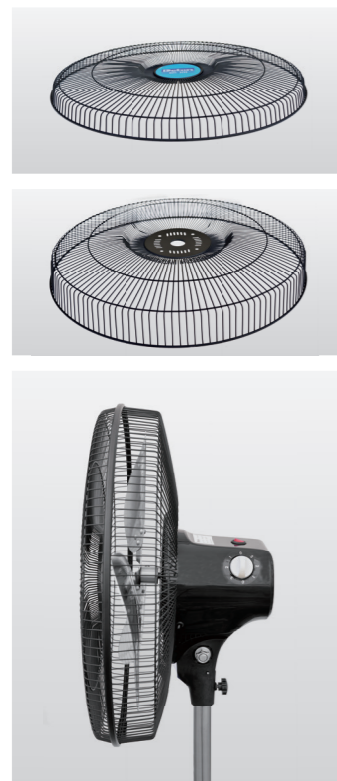
外形尺寸图
Outline dimensions



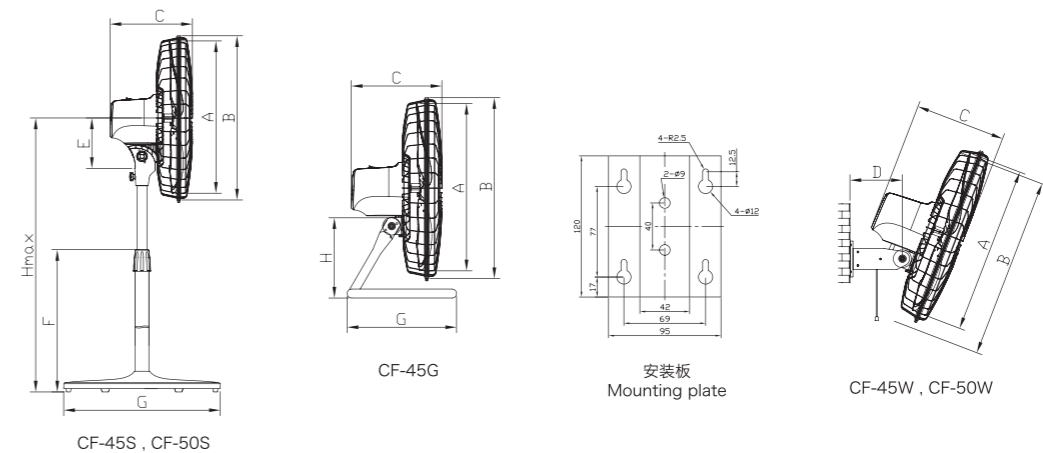
型号 Model	规格 Diameter of blade (mm)	尺寸 A/B/C/D Outline dimensions (mm)	额定电压 Voltage & frequency	档位 Speed	功率 Power (W)	转速 Speed (rpm)	风量 Air volume (m ³ /min)	噪音 Noise (dB)	认证 Certificates
XDF-45	450/18"	180/200/363/508	220V/50Hz	低档 /low	50	1050	43	< 50	CB G-MARK RoHS SASO CE
				中档 /medium	65	1250	50	< 52	
				高档 /high	90	1400	65	< 55	

> CF 系列商用风扇
CF Series Commercial Fan

- 流线型三叶铝质风叶设计，低噪音，风力强劲，送风均匀、柔和。
 - 电动机铁芯采用冷轧硅钢片、铜漆包线，损耗小，低于 50K 温升设计，过载能力强。电动机采用优质低噪音滚珠轴承，内置可复位热保护器，运行稳定，能连续运行 5000 小时。
 - 金属齿轮微电机控制摇头机构，经久耐用。
 - 送风俯仰角度可调，具有摇头功能，送风面积大。
 - 三档风速选择，送风高度可调。
 - 采用加大加重塑料底座，安全稳固。
 - 操作简单，使用方便。
 - 外观新颖，色调高雅，工艺精良
 - 是家居，办公室，宾馆，商场等场所通风纳凉理想之选。
- Streamlined aluminum blade, low noise, large air volume, and soft air supply.
 - The motor adopts cold-rolled silicon steel sheet, copper enameled wire with very small loss, less than 50K temperature rise design, with excellent overload capacity. The motor uses high quality low noise ball bearing and built-in re-settable thermal protector to ensure stable operation. The fan can run 5000 hours continuously.
 - Durable oscillation mechanism.
 - Air supply pitching angle adjustable, with oscillation function, provides large wind supply area.
 - Three speeds, height of the stand fan adjustable.
 - Adopts bigger and heavier plastic base, safe and secure.
 - Easy to use.
 - Modern appearance, elegant color, and excellent craft.
 - Ideal choice for cooling at home, or in offices, hotels, stores, restaurants, and more.



外形尺寸图
Outline dimensions



型号 Model	规格 Diameter of blade (mm)	尺寸 A/B/C/D/E/F/G/H Outline dimensions (mm)	额定电压 Voltage & frequency	档位 Speed	功率 Power (W)	转速 Speed (rpm)	风量 Air volume (m ³ /min)	噪音 Noise (dB)	认证 Certificates
CF-45S	450/18"	450/510/290/-/155/640/480/1180	220V/50Hz	低档 / low	50	950	46	48	CE CB SAA RoHS ERP SASO G-MARK ECO
CF-45W	450/18"	450/510/290/174/-/-/-/-/-/-	220V/50Hz	中档 / medium	60	1250	70	50	
CF-45G	450/18"	450/510/290/-/-/-/-/295/235	220V/50Hz	高档 / high	75	1400	90	55	
CF-50S	500/20"	500/565/290/-/155/640/480/1180	220V/50Hz	低档 / low	70	950	65	50	
CF-50W	500/20"	500/565/290/174/-/-/-/-/-	220V/50Hz	中档 / medium	80	1250	90	53	
CF-50G	500/20"	500/565/290/-/-/-/-/295/245	220V/50Hz	高档 / high	110	1400	120	58	

> FE 系列台地式强力风扇
FE Series Powerful Floor Fan

- 电动机铁芯采用冷轧硅钢片，纯铜漆包线，损耗小，低于50K温升设计，过载能力强。
- 电动机采用优质低噪音滚珠轴承，内置可复位热保护器，运行稳定，使用寿命长。
- 流线型三叶铝质风叶设计，低噪音，风力强劲，送风均匀、柔和。
- 外观精致，色泽持久。
- 三档调速，仰俯角度可调，使用方便。
- 是居家、办公室、宾馆、商场等场所通风纳凉理想之选。

- The motor adopts cold-rolled silicon steel sheet, copper enameled wire with very small loss, less than 50K temperature rise design, with excellent overload capacity.
- The motor uses high quality low noise ball bearing, and built-in re-settable thermal protector to ensure stable operation and long service life.
- Streamlined three aluminum blade, low noise, big air volume and soft wind.
- Exquisite appearance, long lasting color.
- Three adjustable speeds, pitch angle adjustable, easy to use.
- It is the ideal choice for ventilation and cooling at home or in offices, hotels, shopping malls and more.



FE-30(12") 工业网
FE-30(12") industrial grill



FE4-40/45/50 (16",18",20") 工业网
FE4-40/45/50 (16",18",20") industrial grill

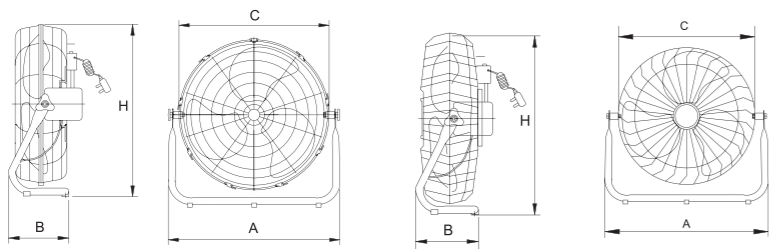


FE2-30 (12") 家用网
FE2-30 (12") domestic grill



FE2-40/45/50(16",18",20") 家用网
FE2-40/45/50(16",18",20") domestic grill

外形尺寸图
Outline dimensions



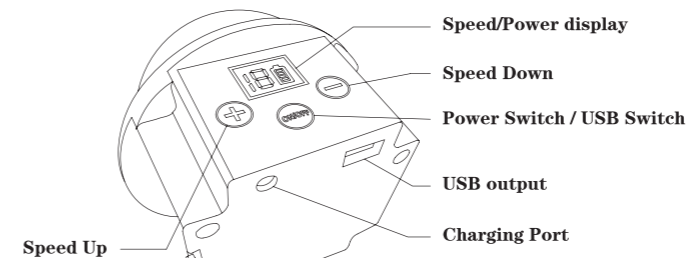
型号 Model	规格 Diameter of blade (mm)	尺寸 A/B/C/H Outline dimensions (mm)	额定电压 Voltage & frequency	档位 Speed	功率 Power (W)	转速 Speed (rpm)	风量 Air volume (m ³ /min)	噪音 Noise (dB)	认证 Certificates
FE-30	300/12"	401/182/360/385	220V/50Hz	低档 /low	25	800	27	55	CE CB SAA ERP G-MARK RoHS SASO ECO
FE2-30				中档 /medium	30	1150	33	58	
				高档 /high	45	1360	41	60	
FE4-40	400/16"	500/195/454/470	220V/50Hz	低档 /low	50	800	48	58	
FE2-40				中档 /medium	55	1150	58	60	
				高档 /high	70	1360	72	62	
FE4-45	450/18"	555/195/509/525	220V/50Hz	低档 /low	55	800	57	63	
FE2-45				中档 /medium	60	1150	69	66	
				高档 /high	75	1360	84	69	
FE4-50	500/20"	625/220/570/590	220V/50Hz	低档 /low	70	800	65	65	
FE2-50				中档 /medium	85	1150	78	68	
				高档 /high	110	1360	96	71	

> FE 系列台地式强力风扇 - 充电款
Rechargeable DC Floor Fan

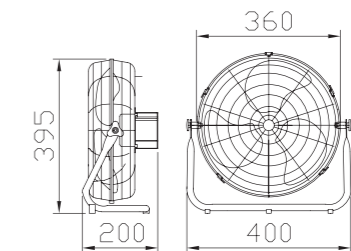
- 稀土永磁钢转子，双滚珠轴承，纯铜绕组
 - 高效率静音直流无刷电机
 - 内置大容量 6600mAh (5200mAh) 锂电池
 - 电池内置过充电、过放电、短路和高温保护
 - 续航时间长达 5~38 小时
 - 12 档风量调速，145° 仰俯角度调节
 - 可以用内置电池充电后使用，也可以用充电器一边充电一边吹风
 - USB 插口，方便户外手机充电
- Rare earth permanent magnetic steel rotor, double ball bearing, pure copper winding
 - High-efficiency silent DC brushless motor
 - Built-in large capacity 6600 mAh (5200 mAh) lithium battery
 - The battery is built with overcharge, overdischarge, short circuit and high temperature protection
 - The endurance time is up to 5 to 38 hours
 - 12 speeds adjustment, 145° tilt angle adjustment
 - Charged with a built-in battery to use, or directly use a charger to charge while blowing
 - USB socket, convenient for outdoor mobile phone charging



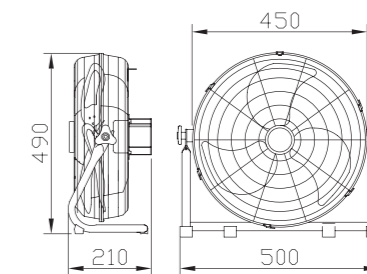
外形尺寸图
Outline dimensions



Interface and Control System



FE-30B



FE-40B

型号 Model	电压 Voltage	档位 Speed	功率 Power (W)	转速 Speed (rpm)	风量 Air volume (m ³ /min)	噪音 Noise (dB)	运行时间 Operating Time	电池规格 Battery Specification	充电电压 Charging Voltage	充电时间 Charging Time	USB 输出 USB output
FE-30B	DC12V	1	2	500	12	36	32H	18650 lithium battery 11.1V/5200mAh	13.5V	3.5H	5V/1A
		6	5	750	15	38	11H				
		12	12	1100	28	45	5H				
FE-40B	DC12V	1	2.5	500	19	38	38H	18650 lithium battery 11.1V/6600mAh	13.5V	4.5H	5V/1A
		6	5.5	750	27	40	14H				
		12	16	1100	52	48	5H				

> 摇头式台地扇

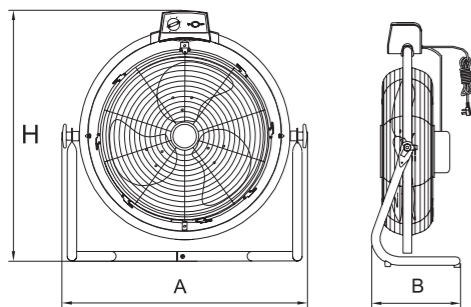
Oscillation Powerful Floor Fan

- 电动机铁芯采用冷轧硅钢片，纯铜漆包线，损耗小，低于50K温升设计，过载能力强。
- 电动机采用优质低噪音滚珠轴承，内置可复位热保护器，运行稳定，使用寿命长。
- 流线型三叶铝质风叶设计，低噪音，风力强劲，送风均匀、柔和。
- 金属齿轮微电机控制摇头机构，经久耐用。
- 外观精致，色泽持久。
- 三档调速，仰俯角度可调，0~94°左右旋转，使用方便。
- 可选择遥控或手动方式。
- 可根据需求选择双联式，风量更大，送风角度更广泛。
- 是居家，办公室，宾馆，商场等场所通风纳凉理想之选。

- The motor adopts cold-rolled silicon steel sheet, copper enameled wire with very small loss, less than 50K temperature rise design, with excellent overload capacity.
- The motor uses high quality low noise ball bearing, and built-in re-settable thermal protector to ensure stable operation and long service life.
- Streamlined three aluminum blade, low noise, big air volume and soft wind.
- Durable oscillation mechanism controlled by metal gears micro motor.
- Exquisite appearance, long lasting color.
- Three adjustable speeds, pitch angle adjustable, rotation angle 0-94°, easy to use.
- Remote control or manual control is optional.
- To pursue larger air volume and wider wind supply angle, twin type can be selected.
- It is the ideal choice for ventilation and cooling at home or in offices, hotels, shopping malls and more.

外形尺寸图

Outline dimensions



遥控控制
(remote control)
FE-16Y(16") / FE-18Y(18")

手动控制
(hand control)
FE-16YE(16") / FE-18YE(18")



遥控器
(remote control)



Twin type
FE-16/2Y (16")/FE-16/2YE(16")

型号 Model	规格 Diameter of blade (mm)	尺寸 A/B/H Outline dimensions (mm)	额定电压 Voltage & frequency	档位 Speed	功率 Power (W)	转速 Speed (rpm)	风量 Air volume (m³/min)	噪音 Noise (dB)	认证 Certificates
FE-16Y	400/16"	645/265/670	220V/50Hz	低档 /low	67	950	48	56	CE CB G-MARK SAA RoHS SASO
FE-16YE				中档 /medium	80	1150	58	58	
FE-18Y				高档 /high	100	1400	72	60	
FE-18Y	450/18"	685/265/720	220V/50Hz	低档 /low	70	950	57	58	
FE-18YE				中档 /medium	90	1150	69	60	
FE-18YE				高档 /high	110	1400	84	62	
FE-16/2Y	400/16"	1458/659/530	220V/50Hz	低档 /low	134	1150	96	61	CB G-MARK SAA RoHS SASO
FE-16/2YE				中档 /medium	160	1350	116	63	
FE-16/2YE				高档 /high	200	1600	144	65	

> 移动式工业台地扇

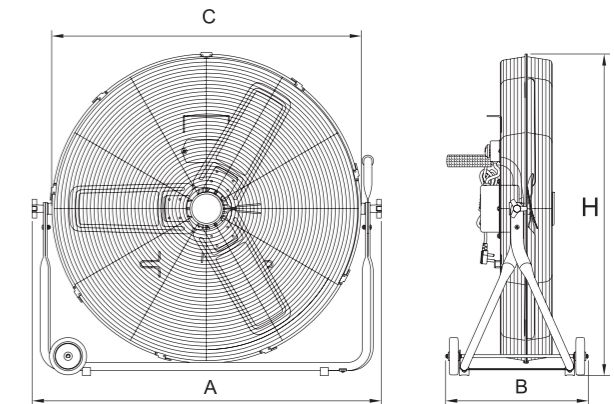
Mobile Powerful Floor Fan

- 采用优质冷轧硅钢片铁芯、铜漆包线，损耗小，低于50K温升设计，过载能力强。
- 电动机采用优质低噪音滚珠轴承，内置可复位热保护器，噪音低、运行稳定，使用寿命长。
- 脚轮设计，可随意轻便快捷地移动。
- 采用Φ2.2mm铁线网防护罩，使用安全。
- 宽叶设计，风量大，风量柔和，感觉舒适。
- 三档调速，送风角度可调。
- 是工厂，车间，仓库，商业场所通风换气，防暑降温的理想风扇。

- The motor adopts cold-rolled silicon steel sheet, copper enameled wire with very small loss, less than 50K temperature rise design, with excellent overload capacity.
- The motor uses high quality low noise ball bearing, and built-in re-settable thermal protector to ensure low noise, stable operation and long service life.
- Designed with wheels and easy to move.
- Strong grill with Φ2.2mm diameter of net line to ensure safety of usage.
- Wide blade provides big and comfortable wind.
- Three adjustable speeds, pitch angle adjustable.
- It is the ideal choice for cooling and ventilation in factories, workshops, warehouses, stores and more.

外形尺寸图

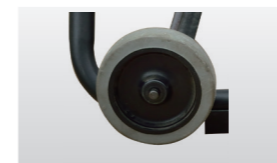
Outline dimensions



FF-60M (24")



FF-75M(30")



脚轮
Wheel



调节螺母
Adjustable nut

型号 Model	规格 Diameter of blade (mm)	尺寸 A/B/C/H Outline dimensions (mm)	额定电压 Voltage & frequency	档位 Speed	功率 Power (W)	转速 Speed (rpm)	风量 Air volume (m³/min)	噪音 Noise (dB)	认证 Certificates
FF-60M	600/24"	780/385/695/710	220V/50Hz	低档 /low	130	1050	125	< 52	CE CB SAA RoHS
				中档 /medium	155	1200	150	< 56	
				高档 /high	195	1380	195	< 62	
FF-75M	750/30"	937/385/855/870	220V/50Hz	低档 /low	175	750	214	< 60	
				中档 /medium	195	850	270	< 65	
				高档 /high	240	910	302	< 68	

> 移动式圆筒风扇

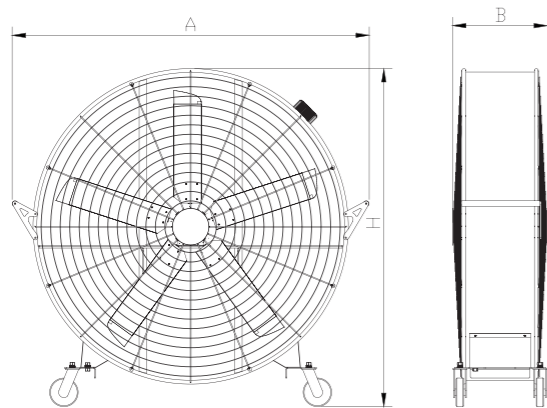
Mobile Drum Fan

- 变频永磁同步电机，优化参数设计，效率高，达到83%；铝合金外壳、滚珠轴承，温升低，只有28K温升、使用寿命长。
 - 风叶为机翼形叶片，优质铝合金挤压成型，流线型设计，风阻低，效率高。风量、全方位立体送风，风力柔和，畅享自然风。尾翼装有叶尖导流板，能有效消除风啸声。
 - 低转速设计，噪声低。
 - 双卷边圆筒，结构扎实，前后密网，安全性高。
 - 无级调速，可自由调节到需要的转速。
 - 带推手圆筒配套万向带刹车脚轮，移动方便。踩下刹车板，运行稳定。
 - 5米长电源线插头，使用方便。
- Variable frequency permanent magnet synchronous motor in optimized parameters design, high efficiency to reach 83%; Aluminum alloy shell, ball bearing, and 28k low temperature rise assures long service life.
 - Airfoil blade by high-quality aluminum alloy extrusion molding, streamlined design, low wind resistance and high efficiency with large air volume, imitating natural wind. Wing tip guider to reduce wind whistle.
 - Low speed design with low noise.
 - Two edges roll round drum, solid structure, front and rear dense net, high safety.
 - Step-less speed regulation to the required speed freely.
 - With mobile drum matching with universal brake wheels, easy to move and operate steadily.
 - 5 meters power cord for convenient use.



外形尺寸图

Outline dimensions



型号 Model	规格 Diameter of blade (mm)	尺寸 A/B/H Outline dimensions (mm)	额定电压 Voltage & frequency	功率 Power (W)	转速 Speed (rpm)	风量 Air volume (m ³ /min)	噪音 Noise (dB)	认证 Certificates
HVF-125LE	1250/50"	1623/498/1747	220V/50Hz	280	450	1250	62	CE CB G-MARK
HVF-150LE	1500/60"	1873/498/1872	220V/50Hz	550	400	2500	65	

> 壁式大风扇

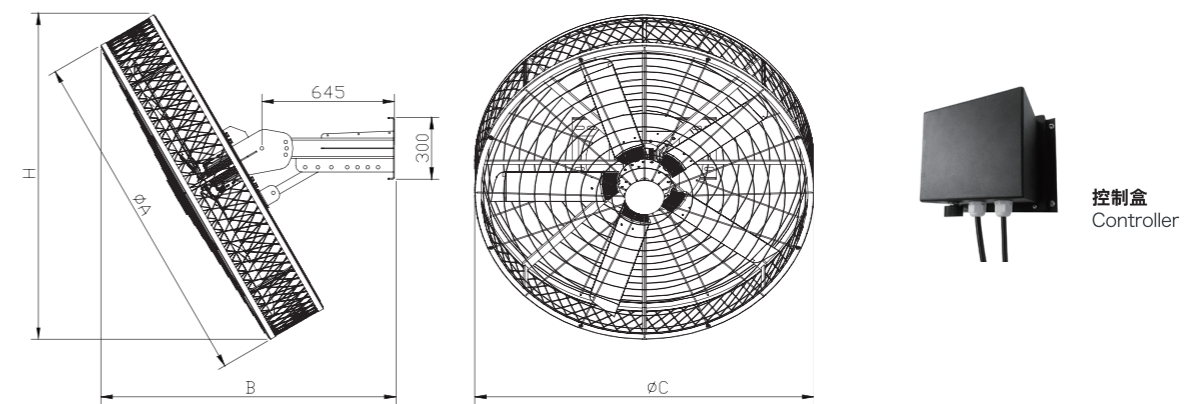
Wall Type Drum Fan

- 变频永磁同步电机，N35SH磁钢，优化参数设计，效率高，达到83%；铝合金外壳、滚珠轴承，温升低，只有25K温升、使用寿命长。
 - 风叶为机翼形叶片，优质铝合金6063-T5挤压成型，流线型设计，风阻低，效率高。风量、全方位立体送风，风力柔和，畅享自然风。尾翼装有叶尖导流板，能有效消除风啸声。
 - 低转速设计，噪声低。
 - 安装简易、结构稳定，风扇整体重量轻，安全性高。
 - 无级调速，可自由调节到需要的转速。
 - 仰俯角度可调，分别是15度、30度、45度。
 - 高强度框架设计，密网，安全性高。
- Variable frequency permanent magnet synchronous motor made in N35SH magnetic steel, optimized parameters design, high efficiency to reach 83%; Aluminum alloy shell, ball bearing, and 25k low temperature rise assure long service life.
 - Airfoil blade by high-quality aluminum alloy 6063-T5 extrusion molding, streamlined design, low wind resistance and high efficiency with large air volume, imitating natural wind. Wing tip guider to reduce wind whistle.
 - Low speed design with low noise.
 - Simple installation, stable structure and light overall weight assure high safety.
 - Stepless speed regulation to the required speed freely.
 - Adjustable blowing angle as 15°, 30° and 45°.
 - High strength frame design, dense net and high security.



外形尺寸图

Outline dimensions



型号 Model	规格 Diameter of blade (mm)	尺寸 A/B/C/H Outline dimensions (mm)	额定电压 Voltage & frequency	功率 Power (W)	转速 Speed (rpm)	风量 Air volume (m ³ /min)	噪音 Noise (dB)	认证 Certificates
IWFD-125LE	1250/50"	1370/1358/1370/1334	220V/50Hz	230	400	1150	60	CE CB G-MARK
IWFS-125LE	1250/50"	1370/1358/1370/1334	380V/50Hz	230	400	1150	60	
IWFD-150LE	1500/60"	1650/1428/1650/1557	220V/50Hz	450	360	2500	62	
IWFS-150LE	1500/60"	1650/1428/1650/1557	380V/50Hz	450	360	2500	62	

> 工业用岗位式圆筒风扇

Drum Fan
(luxury type, normal type & economic type)

- 采用优质冷轧硅钢片铁芯、铜漆包线，损耗小，低于50K温升设计，过载能力强。
 - 电动机采用优质滚珠轴承，内置复位热保护器，噪音低、运行稳定，使用寿命长。
 - 宽叶设计，风量，风量柔和，感觉舒适。
 - 具有调速功能，吹风角度可360°随意调节。
 - 脚轮设计，可移动，使用方便。
 - 适用于工厂、矿山、修车库以及其他公共场所通风纳凉。
- The motor adopts cold-rolled silicon steel sheet, copper enameled wire with very small loss, less than 50K temperature rise design, with excellent overload capacity.
 - The motor uses high quality low noise ball bearing, and built-in re-settable thermal protector to ensure low noise, stable operation and long service life.
 - Wide blade provides big and comfortable wind.
 - Adjustable speeds, blowing angle is adjustable within 360°.
 - Equipped with wheels, easy to move.
 - Suitable for cooling and ventilation in factories, diggings, garages and more.



豪华型 Luxury type
HVF-60LA(24")



豪华型 Luxury type
HVF-90LA/105LA(36"/42")



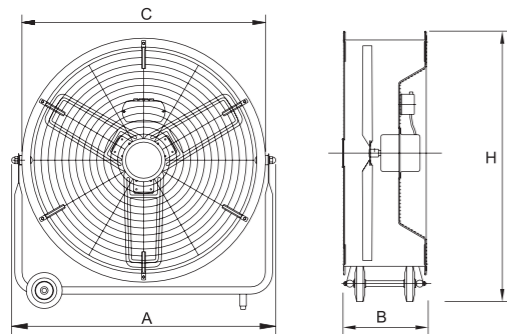
普通型 Normal type
HVF-65LA/75LA(26"/30")



经济型 Economic type
HVF-90EA/105EA(36"/42")

外形尺寸图

Outline dimensions

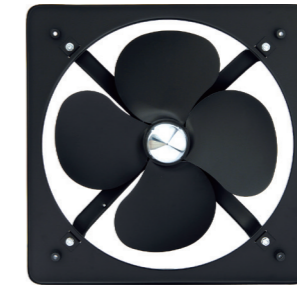


型号 Model	规格 Diameter of blade (mm)	尺寸 A/B/C/H Outline dimensions (mm)	额定电压 Voltage & frequency	档位 Speed	功率 Power (W)	转速 Speed (rpm)	风量 Air volume (m ³ /min)	噪音 Noise (dB)	认证 Certificates
HVF-60LA	600/24"	775/280/663/770	220V/50Hz	低档 /low	190	1050	214	60	CE CB RoHS
				中档 /medium	210	1150	270	65	
				高档 /high	260	1360	302	70	
HVF-65LA	650/26"	815/280/708/810	220V/50Hz	低档 /low	142	750	143	55	
				中档 /medium	160	850	174	60	
				高档 /high	187	910	220	65	
HVF-75LA	750/30"	900/280/808/920	220V/50Hz	低档 /low	175	750	214	58	
				中档 /medium	195	850	270	67	
				高档 /high	240	910	302	68	
HVF-90LA	900/36"	1085/465/960/1085	220V/50Hz	低档 /low	520	750	350	65	
1060/480/980/1040		高档 /high		650	850	460	75		
HVF-105LA	1050/42"	1268/465/1114/1230	220V/50Hz	低档 /low	620	750	410	65	
1230/480/1120/1160		高档 /high		750	850	540	75		

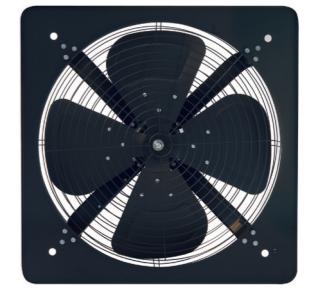
> 方形工业换气扇

Square Exhaust Fan

- 电动机铁芯采用冷轧硅钢片、铜漆包线，损耗小，低于50K温升设计，过载能力强。
 - 电动机采用优质滚珠轴承，内置复位热保护器，运行稳定，使用寿命长。
 - 结构零件采用优质薄钢板冲压而成。
 - 刚性好，重量轻，美观大方，易于安装。
 - 风量，噪音低，运行平稳，安全可靠。
 - 可根据需要选择加装前后网，或者百叶。
 - 适用于工厂、厨房、仓库等场所作为通风换气之用。
- The motor adopts cold-rolled silicon steel sheet, copper enameled wire, less than 50K temperature rise design, with excellent overload capacity.
 - The motor uses high quality low noise ball bearing and built-in re-settable thermal protector to ensure stable operation and long service life.
 - The structural parts made of high quality steel sheet by punching.
 - Good rigidity, light weight, beautiful and easy to install.
 - Large air volume, low noise, smooth running, safe and reliable.
 - Front or rear grill and shutter can be chosen to install as per requirement.
 - Suitable for ventilation in factories, kitchens, warehouses and more.



FA 不带网
FA without grill



FA 配前后网
FA with grills



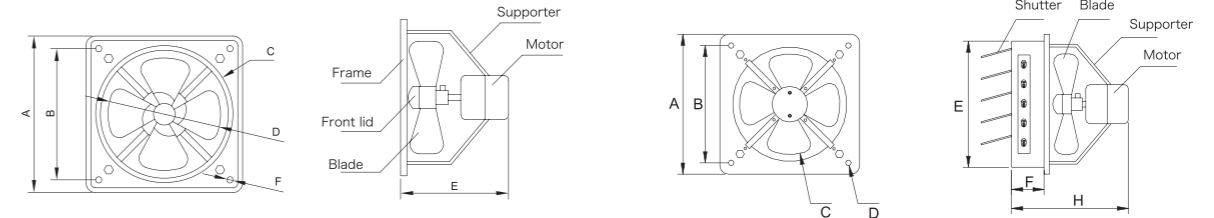
FA2 红色风叶不带网
FA2 with red blade without grill



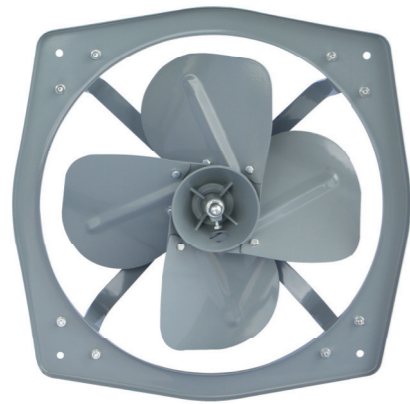
FB 带百叶不带网
FB with shutter without grill

外形尺寸图

Outline dimensions



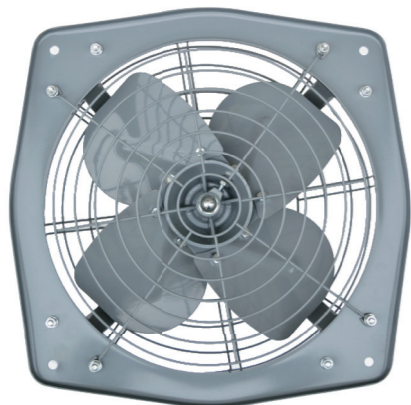
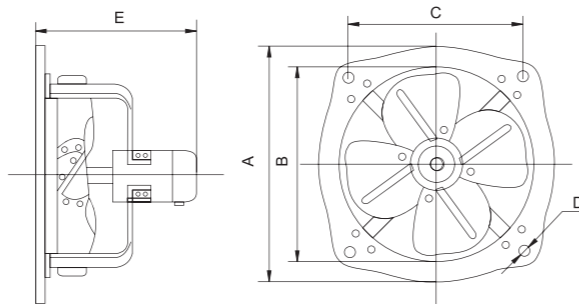
型号 Model	规格 Diameter of blade (mm)	尺寸 A/B/C/D/E/F/H Outline dimensions (mm)	额定电压 Voltage & frequency	功率 Power (W)	转速 Speed (rpm)	风量 Air flow (m ³ /min)	噪音 Noise (dB)	认证 Certificates
FAD20-4	200/8"	230/197/208/200/125/12/—	220V/50Hz	35	1400	13	53	CB CE G-MARK SAA RoHS SASO
FAD25-4	250/10"	284/245/260/250/145/12/—	220V/50Hz	40	1400	14	55	
FAD30-4	300/12"	355/302/316/300/155/12/—	220V/50Hz	45	1400	18	58	
FAD35-4	350/14"	415/329/370/350/178/12/—	220V/50Hz	75	1400	38	65	
FAD40-4	400/16"	480/378/420/400/220/12/—	220V/50Hz	145	1400	48	67	
FAS40-4	400/16"	480/378/420/400/180/12/—	380V/50Hz	145	1400	48	67	
FAD50-4	500/20"	600/479/520/500/270/15/—	220V/50Hz	350	1400	95	70	
FAS50-4	500/20"	600/479/520/500/230/15/—	380V/50Hz	350	1400	95	70	
FAD60-4	600/24"	700/542/617/600/285/18/—	220V/50Hz	600	1400	145	75	
FAS60-4	600/24"	700/542/617/600/238/18/—	380V/50Hz	600	1400	145	75	
FAD-25	250/10"	284/245/260/250/145/12/—	220V/50Hz	40	1400	14	55	
FAD-30	300/12"	355/302/316/300/155/12/—	220V/50Hz	45	1400	18	58	
FAD-35	350/14"	415/329/370/350/178/12/—	220V/50Hz	75	1400	38	65	
FAD-40	400/16"	480/378/420/400/220/12/—	220V/50Hz	145	1400	48	67	
FAS-40	400/16"	480/378/420/400/180/12/—	380V/50Hz	145	1400	48	67	
FAD-50	500/20"	600/479/520/500/270/15/—	220V/50Hz	350	1400	95	70	
FAS-50	500/20"	600/479/520/500/230/15/—	380V/50Hz	350	1400	95	70	
FAD-60	600/24"	700/542/617/600/285/18/—	220V/50Hz	600	1400	145	75	
FAS-60	600/24"	700/542/617/600/238/18/—	380V/50Hz	600	1400	145	75	
FBD20-4	200/8"	294/255/200/11/236/50/175	220V/50Hz	35	1400	13	53	
FBD25-4	250/10"	318/285/250/11/270/55/200	220V/50Hz	40	1400	14	55	
FBD30-4	300/12"	376/349/300/11/338/54/200	220V/50Hz	45	1400	18	58	
FBD35-4	350/14"	453/415/350/12/398/60/220	220V/50Hz	75	1400	38	65	
FBD40-4	400/16"	480/438/400/12/424/48/267	220V/50Hz	145	1400	48	67	
FBS40-4	400/16"	480/438/400/12/424/48/227	380V/50Hz	145	1400	48	67	
FBD50-4	500/20"	605/479/500/15/525/65/335	220V/50Hz	350	1400	95	70	
FBS50-4	500/20"	605/479/500/15/525/65/335	380V/50Hz	350	1400	95	70	



> FQ 系列强力排气扇
FQ Series Heavy Duty Exhaust Fan

- 电动机铁芯采用冷轧硅钢片、铜漆包线，损耗小，低于 50K 温升设计，过载能力强。
 - 电动机采用优质低噪音滚珠轴承，内置可复位热保护器，运行稳定，使用寿命长。
 - 风量，噪音低。
 - 可选择性安装前网，后网，或者前后网。
 - 适用于工厂通风换气之用。
- The motor adopts cold-rolled silicon steel sheet, copper enameled wire, less than 50K temperature rise design, with excellent overload capacity.
 - The motor uses high quality low noise ball bearing and built-in re-settable thermal protector to ensure stable operation and long service life.
 - Large air flow, low noise.
 - Designed for ventilation in factories.
 - The front grill, rear grill, or both grills is optional.

外形尺寸图
Outline dimensions

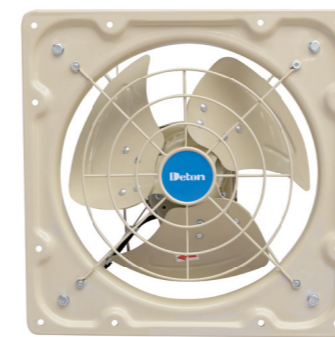


FQ with grill

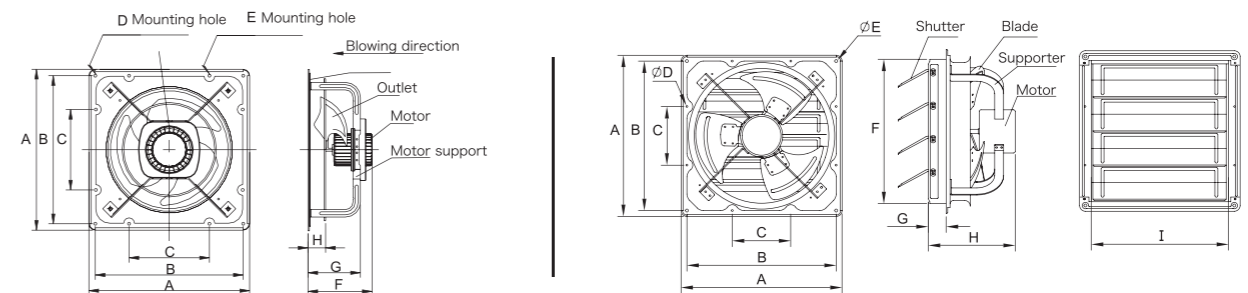
型号 Model	规格 Diameter of blade (mm)	尺寸 A/B/C/D/E Outline dimensions (mm)	额定电压 Voltage & frequency	功率 Power (W)	转速 Speed (rpm)	风量 Air flow (m ³ /min)	噪音 Noise (dB)	认证 Certificates
FQD30-4	300/12"	390/325/308/9/225	220V/50Hz	80	1400	35	70	CE CB G-MARK SAA RoHS SASO
FQS30-4	300/12"	390/325/308/9/225	380V/50Hz	80	1400	35	70	
FQD35-4	350/14"	438/370/336/9/240	220V/50Hz	120	1400	50	72	
FQS35-4	350/14"	438/370/336/9/240	380V/50Hz	120	1400	50	72	
FQD40-4	400/16"	485/415/369/9/245	220V/50Hz	170	1400	65	74	
FQS40-4	400/16"	485/415/369/9/245	380V/50Hz	170	1400	65	74	
FQD45-4	450/18"	560/475/435/11/340	220V/50Hz	230	1400	82	76	
FQS45-4	450/18"	560/475/435/11/340	380V/50Hz	230	1400	82	76	
FQD50-4	500/20"	600/507/470/11/335	220V/50Hz	300	1400	98	77	
FQS50-4	500/20"	600/507/470/11/335	380V/50Hz	300	1400	98	77	
FQD60-4	600/24"	700/620/590/13/401	220V/50Hz	800	1400	285	78	
FQS60-4	600/24"	700/620/590/13/401	380V/50Hz	800	1400	285	78	
FQD60-6	600/24"	700/620/590/13/401	220V/50Hz	300	960	100	77	
FQS60-6	600/24"	700/620/590/13/401	380V/50Hz	300	960	100	77	

> LA 系列方形换气扇 (带百叶)
LA Series Square Exhaust Fan with shutter

- 电动机铁芯采用冷轧硅钢片、铜漆包线，损耗小，低于 50K 温升设计，过载能力强。
 - 电动机采用优质滚珠轴承，内置可复位热保护器，运行稳定，使用寿命长。
 - 全金属结构，采用优质薄钢板冲压而成，铸铝机壳，散热性好。
 - 刚性好，重量轻，美观大方，易于安装。
 - 风量，噪音低，运行平稳，安全可靠。
 - 适用于工厂，厨房，办公室，仓库等场所作为通风换气之用。
 - 百叶窗开闭灵活，私密性好，防尘防水，便于安装、维护。
- The motor adopts cold-rolled silicon steel sheet, copper enameled wire, less than 50K temperature rise design, with excellent overload capacity.
 - The motor uses high quality low noise ball bearing and built-in re-settable thermal protector to ensure stable operation and long service life.
 - All metal structure, made of punching high quality steel sheet, cast aluminum motor cover with good heat dissipation.
 - Good rigidity, light weight, beautiful and easy to install.
 - Large air volume, low noise, smooth running, safe and reliable.
 - Suitable for ventilation in factories, kitchens, offices, warehouses and more.
 - The shutter is flexible in opening and closing, dust and waterproof, easy to install and maintain.



外形尺寸图
Outline dimensions



型号 Model	规格 Diameter of blade (mm)	尺寸 A/B/C/D/E/F/G/H Outline dimensions (mm)	额定电压 Voltage & frequency	功率 Power (W)	转速 Speed (rpm)	风量 Air flow (m ³ /min)	噪音 Noise (dB)	认证 Certificates
LAD20-4	200/8"	300/274/150/6.5/5.5/142/123/50	220V/50Hz	25	1400	12	42	CE CB
LAD25-4	250/10"	350/325/160/6.5/6.5/167/150/50	220V/50Hz	38	1400	20	48	
LAD30-4	300/12"	400/370/200/8.5/8.5/171/154/50	220V/50Hz	50	1400	26	52	
LAD35-4	350/14"	440/405/200/8.5/8.5/175/159/60	220V/50Hz	100	1400	40	55	
LAD40-4	400/16"	490/450/240/11/11/187/172/70	220V/50Hz	155	1400	71	58	
LAD45-4	450/18"	550/510/200/10.5/6.5/232/193/82	220V/50Hz	260	1400	84	68	
LAD50-4	500/20"	610/565.5/220/10.5/6.5/232/208/88	220V/50Hz	300	1400	92	70	

型号 Model	规格 Diameter of blade (mm)	尺寸 A/B/C/D/E/F/G/H/I Outline dimensions (mm)	额定电压 Voltage & frequency	功率 Power (W)	转速 Speed (rpm)	风量 Air flow (m ³ /min)	噪音 Noise (dB)	认证 Certificates
LAD20-4B	200/8"	300/274/150/5.5/6.5/235/60/202/241	220V/50Hz	25	1400	12	42	CE CB
LAD25-4B	250/10"	350/325/160/6.5/6.5/268/60/227/268	220V/50Hz	38	1400	20	48	
LAD30-4B	300/12"	405/370/200/6.5/8.5/337/64/235/342	220V/50Hz	50	1400	26	52	
LAD35-4B	350/14"	440/405/200/6.5/8.5/368/62/237/400	220V/50Hz	100	1400	40	55	
LAD40-4B	400/16"	490/450/240/6.5/10.5/425/62/249/425	220V/50Hz	155	1400	71	58	
LAD45-4B	450/18"	550/510/240/6.5/10.5/470/62/294/470	220V/50Hz	260	1400	84	68	

> 高速换气扇

High Velocity Exhaust Fan

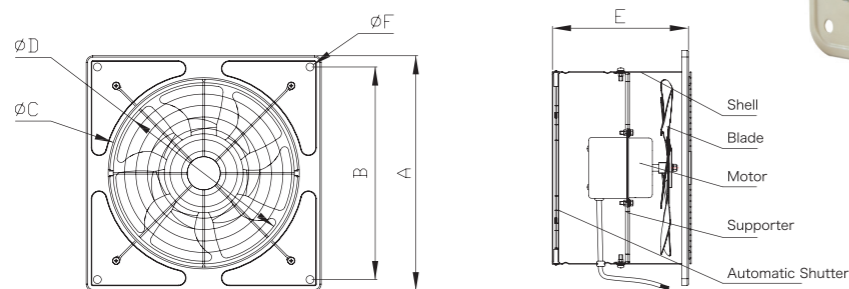
- 高转速，风量大，换气快
- 自动开合百叶防气体倒流
- 可连接圆管，使用更方便
- 纯铜线硅钢片电机更耐用
- 配可复位热保护器更可靠
- 出风口配防护网，更安全
- 静电喷涂金属机身耐腐蚀
- 适用于工厂、居室、办公室、酒楼及娱乐场所等作通风换气之用。

- High rotation speed, large air volume and fast air exhaust
- Automatic opening and closing of shutters to prevent gas reflux Round tubes can be connected for more convenience to use
- Pure copper wire and silicon steel sheet motor is more durable Built-in re-settable thermal protector is more reliable
- Air outlet with protective net is safer
- Electrostatic spray metal body is rust-resistant
- Suitable for ventilation in factories, houses, offices, restaurants ,entertainment places and more.



外形尺寸图

Outline dimensions



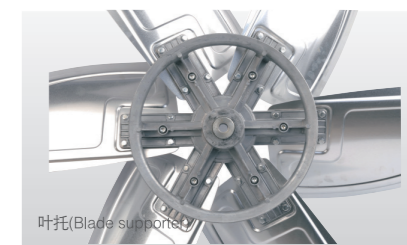
型号 Model	规格 Diameter of blade (mm)	额定电压 Voltage & frequency	频率 Frequency (Hz)	功率 Power (W)	转速 Speed (rpm)	风量 Air volume (m³/min)	噪音 Noise (dB)	可接风管 (m)	外形安装尺寸 (mm)					
									A	B	C	D	E	F
HVD-20	200/8"	220V	50	40	2800	20	58	8	246	202	180	167	153	6
HVD-25	250/10"	220V	50	80	2800	35	64	10	317	270	230	209	154	10.5
HVD-30	300/12"	220V	50	110	2800	50	78	12	354	320	290	265	205	12



风叶—采用优质铝板压铸而成，具有重量轻、造型美观大方、档次高、防锈等优点
Blade—Adopts punching high quality aluminum, and it has the advantages of light weight, beautiful and dignified in appearance, high-class, and antirust.



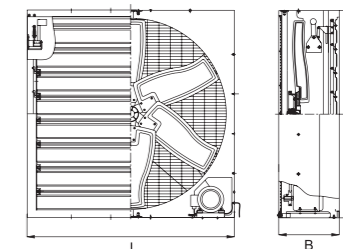
百叶—采用优质镀锌钢板精制而成，具有自动启用、防风、防雨等优点
Shutter—Adopts high quality galvanized steel, and it has the advantages of automatically controlled in opening and closing, hurricane lamp and waterproof.



叶托—采用高强度铝合金压铸制成，具有重量轻、强度高、组装快捷及防锈等优点
Blade supporter—Adopts high intensity and die-casting aluminum, and it has the advantages of light weight, high intensity, easy to install and antirust.

外形尺寸图

Outline dimensions



GLF豪华型方角扇 (带百叶)
GLF Axial Fan(With shutter)



GLF-B豪华型方角扇 (加前后网不带百叶)
GLF-B Axial Fan (With both side grills)

> GLF 系列方角扇

GLF Series Axial Fan

- 噪音低，风量大，耗电少，安装方便
- 可根据需要，选择安装百叶窗式或者双面防护网式。百叶窗式可随风机启动或关闭自动开合，达到防尘，防水，美观的效果；双面防护网式与百叶窗式性能相同，更加简易。
- 适用于不含易燃易爆以及腐蚀性气体之工厂，仓库，养殖场等。

- Low noise, big airflow, power saving, and easy to install.
- Shutter type or grill type can be chosen as per using requirement. Fan shutters automatically open or close following with the fan starts or stops running, which achieves dust-proof, water-proof, and appearance clean; grill type has the same performance as shutter type, more simple.
- Suitable for ventilation in warehouses, animal farms, factories and more.

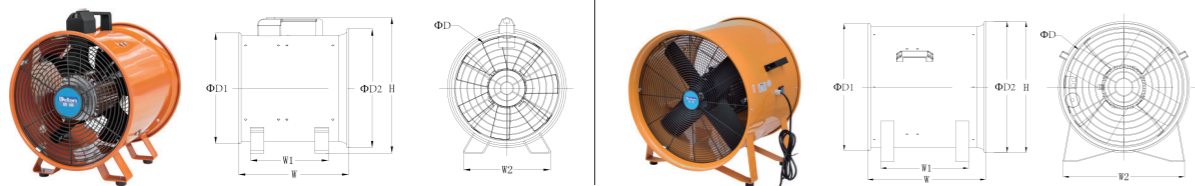
型号 Model	规格 Diameter of blade (mm)	尺寸 L/H/B Outline dimensions (mm)	额定电压 Voltage & frequency	功率 Power (KW)	转速 Speed (rpm)	风量 Air volume (m³/min)	噪音 Noise (dB)	认证 Certificates
GLF5#	500/20"	600/600/400	380V/220V/50Hz	0.55	1400	117	72	CB CE SASO G-MARK
GLF5.6#	560/22"	750/750/400	380V/220V/50Hz	0.45	960	133	65	
GLF7#	700/28"	850/850/400	380V/220V/50Hz	0.45	960	230	71	
GLF8#	800/32"	900/900/400	380V/50Hz	0.37	450	267	59	
GLF9.5#	950/38"	1060/1060/400	380V/220V/50Hz	0.75	450	533	60	
GLF11.2#	1120/45"	1220/1220/400	380V/220V/50Hz	0.75	450	617	63	
GLF12.5#	1250/50"	1380/1380/400	380V/220V/50Hz	1.1	450	742	65	

> 手提式轴流风机 Portable Ventilator

- 电动机铁芯采用冷轧硅钢片、铜漆包线，损耗小，低于50K温升设计，过载能力强。
 - 电动机采用优质低噪音滚珠轴承，运行稳定、风量、风压高，使用寿命长。
 - 采用特殊设计铝合金风叶。
 - 移动方便，使用便利。
 - 适用于烧焊工场排废气，清洁地面后吹干，以及相对空气不流通的场合。
- The motor adopts cold-rolled silicon steel sheet, copper enameled wire, less than 50K temperature rise design, with excellent overload capacity.
 - The motor uses high quality low noise ball bearing to ensure stable operation, and long service life.
 - The fan adopts special designed aluminium alloy blade.
 - Easy to move, convenient to use.
 - Suitable for exhausting gas of the welding workshop, drying the ground after clean and the occasion where the air is not in circulation.



外形尺寸图 Outline dimensions



PVT20(8"),PVT-25(10"),PVT-30(12"),PVT-35(14"),PVT-40(16")Structure

PVT-45(18"),PVT-50(20"),PVT-60(24")Structure

型号 Model	规格 Diameter of blade (mm)	D (mm)	D1 (mm)	D2 (mm)	W (mm)	W1 (mm)	W2 (mm)	H (mm)
PVT-20	200/8"	200	226	250	300	210	210	295
PVT-25	250/10"	240	266	290	300	210	252	335
PVT-30	300/12"	300	326	350	325	230	256	400
PVT-35	350/14"	350	384	400	380	260	375	434
PVT-40	400/16"	400	434	450	400	285	412	484
PVT-45	450/18"	450	484	500	450	335	462	534
PVT-50	500/20"	496	534	550	450	335	512	584
PVT-60	600/24"	600	634	655	450	335	612	684

型号 Model	规格 Diameter of blade (mm)	功率 Power (W)	转速 Speed (rpm)	风量 Air flow (m ³ /min)	风压 pa	噪音 Noise (dB)	认证 Certificates
PVT-20	200/8"	130	2800	22	200	65	CB CE G-MARK SAA RoHS SASO
PVT-25	250/10"	180	2800	33	250	70	
PVT-30	300/12"	380	2800	57	350	80	
PVT-35	350/14"	750	2800	85	440	85	
PVT-40	400/16"	1100	2800	128	520	90	
PVT-45	450/18"	1800	2800	167	660	95	
PVT-50	500/20"	2000	2800	200	800	100	
PVT-60	600/24"	2200	1420	311	294	75	

> 圆筒形换气扇 Circular Type Exhaust Fan

- 电机采用冲压外壳和低噪声轴承，运行寿命长。
 - 采用特殊设计的空间扭曲叶片。
 - 结构零件采用优质薄钢板冲压而成。
 - 刚性好，重量轻，美观大方，易于安装。
 - 噪音低，风量。
 - 可选择性加装前网，后网，或者前后网。
 - 适用于仓库，车间等场所通风换气之用。
- The motor adopts punching shell and low noise ball bearing, with long service life.
 - The fan adopts specially designed three-dimensional twisted blade.
 - The structural parts made of high quality sheet steel by punching.
 - Good rigidity, light weight, beautiful and easy to install.
 - Large air volume, low noise.
 - The front grill, rear grill, or both grills is optional.
 - Widely used for ventilation in warehouses, workshops and more.

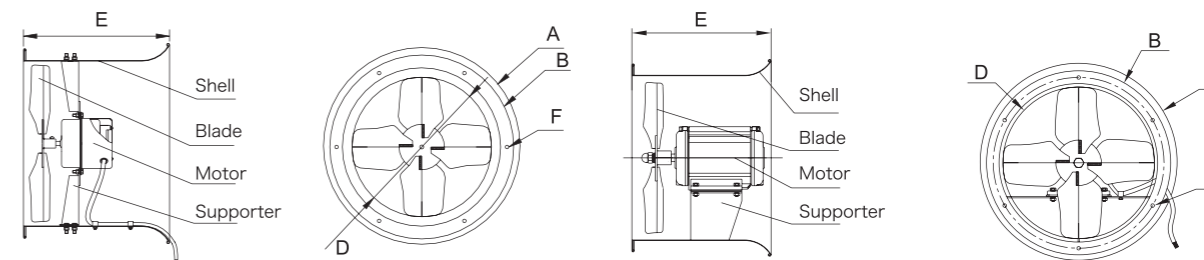


TA 系列圆筒形工业换气扇
TA circular type Exhaust Fan



DFB 系列圆形工业壁式换气扇
DFB circular type Exhaust Fan

外形尺寸图 Outline dimensions



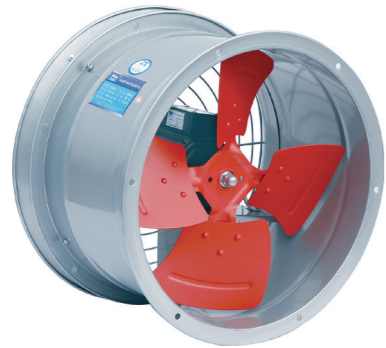
型号 Model	规格 Diameter of blade (mm)	尺寸 A/B/D/E/F Outline dimensions (mm)	额定电压 Voltage & frequency (V)	功率 Power (W)	转速 Speed (rpm)	风量 Air flow (m ³ /min)	噪音 Noise (dB)	认证 Certificates
TAD25-4	250/10"	332/316/250/250/7	220V/50Hz	40	1400	14	58	CB CE G-MARK SASO
TAD30-4	300/12"	385/360/300/272/7	220V/50Hz	45	1400	18	61	
TAD35-4	350/14"	435/410/350/272/7	220V/50Hz	75	1400	38	64	
TAD40-4	400/16"	485/460/400/272/7	220V/50Hz	145	1400	48	68	
TAS40-4	400/16"	485/460/400/272/7	380V/50Hz	145	1400	48	68	
TAD50-4	500/20"	590/560/500/272/7	220V/50Hz	350	1400	95	72	
TAS50-4	500/20"	590/560/500/272/7	380V/50Hz	350	1400	95	72	
TAD60-4	600/24"	685/670/600/272/7	220V/50Hz	600	1400	145	78	
TAS60-4	600/24"	685/670/600/272/7	380V/50Hz	600	1400	145	78	

型号 Model	规格 Diameter of blade (mm)	尺寸 A/B/D/E/F Outline dimensions (mm)	额定电压 Voltage & frequency (V)	功率 Power (W)	转速 Speed (rpm)	风量 Air flow (m ³ /min)	噪音 Noise (dB)
DF2.5B-4	250/10"	332/316/292/230/7	220V/50Hz	90	1400	30	60
SF2.5B-4	250/10"	332/316/292/230/7	380V/50Hz	90	1400	30	60
DF3B-4	300/12"	385/360/300/272/7	220V/50Hz	180	1400	37	63
SF3B-4	300/12"	385/360/300/272/7	380V/50Hz	180	1400	37	63
DF3.5B-4	350/14"	435/410/350/272/7	220V/50Hz	180	1400	47	65
SF3.5B-4	350/14"	435/410/350/272/7	380V/50Hz	180	1400	47	65
DF4B-4	400/16"	485/460/400/272/7	220V/50Hz	250	1400	75	67
SF4B-4	400/16"	485/460/400/272/7	380V/50Hz	250	1400	75	67
DF5B-4	500/20"	590/560/500/272/7	220V/50Hz	370	1400	95	70
SF5B-4	500/20"	590/560/500/272/7	380V/50Hz	370	1400	95	70
DF6B-4	600/24"	685/670/600/272/7	220V/50Hz	550	1400	140	72
SF6B-4	600/24"	685/670/600/272/7	380V/50Hz	550	1400	140	72

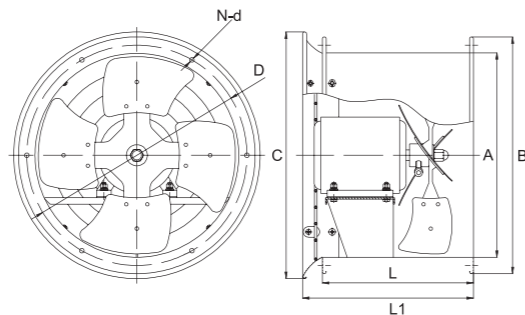


FG 系列低噪音轴流管道通风机
FG Series Low Noise Axial Duct Fan

- 叶片为前掠式三元扭曲宽叶片
- 噪声低、风量大、效率高、风压稳定
- 机壳、叶轮表面采用先进的工艺流水线进行喷涂处理、色彩柔和光艳，持久不变
- 可根据需要加装前网或者后网
- The fan adopts specially designed forward curved three-dimensional twisted blade.
- Low noise, large air flow, high efficiency, and stable air pressure.
- The fan is powder coated with lasting bright color.
- The fan with rear grill, front grill is optional.
- Suitable for ventilation in factories and civil buildings.



外形尺寸图
Outline dimensions



型号 Model	规格 Diameter of blade (mm)	尺寸 A/B/C/D/N-d/L/L1 Outline dimensions (mm)	额定电压 Voltage & frequency (V)	功率 Power (KW)	转速 Speed (rpm)	风量 Air flow (m ³ /min)	风压 (Pa)
SF3G-4	300/12"	310/360/375/335/6-Φ7/230/260	380V/50Hz	0.08	1420	27	65
DF3G-4	300/12"	310/360/375/335/6-Φ7/230/260	220V/50Hz	0.08	1420	27	65
SF3.5G-4	350/14"	360/410/415/385/6-Φ7/230/260	380V/50Hz	0.37	1420	62	130
DF3.5G-4	350/14"	360/410/415/385/6-Φ7/230/260	220V/50Hz	0.37	1420	62	130
SF4G-2	400/16"	410/460/480/435/8-Φ9/260/300	380V/50Hz	1.1	2800	111	307
SF4G-4	400/16"	410/460/480/435/8-Φ9/260/300	380V/50Hz	0.55	1420	88	166
DF4G-4	400/16"	410/460/480/435/8-Φ9/260/300	220V/50Hz	0.55	1420	88	166
SF5G-2	500/20"	510/560/595/535/8-Φ9/260/310	380V/50Hz	1.5	2800	233	350
DF5G-2	500/20"	510/560/595/535/8-Φ9/260/310	220V/50Hz	1.5	2800	233	350
SF5G-4	500/20"	510/560/595/535/8-Φ9/260/310	380V/50Hz	0.75	1420	155	196
DF5G-4	500/20"	510/560/595/535/8-Φ9/260/310	220V/50Hz	0.75	1420	155	196
SF5G-6	500/20"	510/560/595/535/8-Φ9/260/310	380V/50Hz	0.37	960	128	98
SF6G-2	600/24"	610/670/695/640/8-Φ9/345/395	380V/50Hz	3	2800	333	400
SF6G-6	600/24"	610/670/695/640/8-Φ9/375/425	380V/50Hz	1.1	960	217	176
SF6G-4	600/24"	610/670/695/640/8-Φ9/375/425	380V/50Hz	2.2	1420	312	294
DF6G-4	600/24"	610/670/695/640/8-Φ9/375/425	220V/50Hz	2.2	1420	312	294
SF7G-4	700/28"	710/770/825/740/10-Φ12/400/450	380V/50Hz	3	1420	408	315
DF7G-4	700/28"	710/770/825/740/10-Φ12/400/450	220V/50Hz	2.2	1420	400	300
SF7G-6	700/28"	710/770/825/740/10-Φ12/375/425	380V/50Hz	2.2	960	383	195
SF8G-4	800/32"	810/870/925/840/12-Φ12/400/450	380V/50Hz	4	1420	500	345
SF8G-6	800/32"	810/870/925/840/12-Φ12/400/450	380V/50Hz	2.2	960	467	196

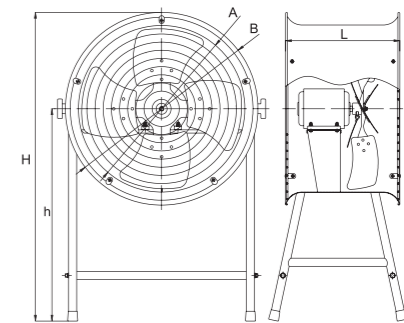
Remark: 300mm to 500mm are carton box package
600mm to 800mm are wooden box package

JGF 系列低噪音岗位通风机
JGF Series Low Noise Axial Fan

- 风量大、送风远、噪声低
- 适用于工矿企业于民用建筑的通风降温
- Large air volume, long air supply distance, low noise.
- Suitable for ventilation in industrial and mining enterprises, civil buildings and more.



外形尺寸图
Outline dimensions

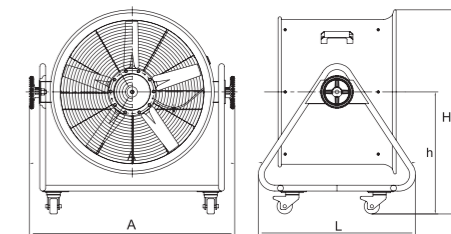


JGF-III 型系列低噪声岗位通风机
JGF-III Series Low Noise Axial Fan

- 风机采用压铸铝风叶，坚固耐用
- 设计有按键控制开关和活动脚轮，使用方便
- 俯仰送风角度 360° 随意调整
- 适用于车间、仓库、公共场所之通风降温
- Cast aluminum blade, firm and durable.
- Speed adjusted by button switch, movable wheel, easy for use.
- Adjustable angle of pitch. Diameter of blade: 600 mm.
- Suitable for ventilation and cooling in workshops, warehouses, public places and more.



外形尺寸图
Outline dimensions



型号 Model	规格 Diameter of blade (mm)	尺寸 A/B/L/h/H Outline dimensions (mm)	额定电压 Voltage & frequency	功率 Power (KW)	转速 Speed (rpm)	风量 Air flow (m ³ /min)	风压 Pa	认证 Certificates
JGFS4-4	400/16"	410/490/350/650/895	380V/50Hz	0.55	1420	88	166	CB CE
JGFD4-4			220V/50Hz					
JGFS5-4	500/20"	510/590/350/650/945	380V/50Hz	0.75	1420	155	196	
JGFD5-4			220V/50Hz					
JGFS5-6	500/20"	510/590/350/650/945	380V/50Hz	0.37	960	128	98	
JGFS6-4	600/24"	610/710/450/650/1005	380V/50Hz	2.2	1420	312	294	
JGFD6-4			220V/50Hz					
JGFS6-6	600/24"	610/710/450/650/1005	380V/50Hz	1.1	960	217	176	
JGFS7-4	700/28"	710/810/450/650/1055	380V/50Hz	3	1420	408	300	
JGFD7-4			220V/50Hz	2.2	1420	400	196	
JGFS7-6	700/28"	710/810/450/650/1055	380V/50Hz	2.2	960	383	195	
JGFS6D-4III	600/24"	871/—/668/518/866	220V/50Hz	0.75	1450	200	65	
JGFS6S-4III	600/24"	871/—/668/518/866	380V/50Hz	0.75	1450	200	65	



Belt Drive



Direct Drive
Models:RC-A: 200、260、320、360、400、450、500
Air volume:728-9901m³/h
Total pressure:44-335Pa

> RC 系列离心式屋顶风机
RC Series Centrifugal Roof Fan

- 本系列风机类型为离心式屋顶风机，采用铝制后倾离心式叶轮和铝合金材料的风机外壳
- 风机罩：一体旋压而成，坚固耐用，能承受较大的风载荷。
- 驱动机构支撑板：使用防腐的镀锌钢板制作
- 泛水罩：台阶式设计防止渗水。
- 镀锌防鸟网
- 本系列风机有 250、280、315、355、400、450、500、560、630、710、800、900、1000
- 风量范围：399-36055m³/h
- 全压范围：47-975Pa
- 使用场所：适合安装在工矿厂房、民用建筑、大型商场等场所的屋顶作为抽排风用途。

- Downblast type aluminum impeller and aluminum fan casing
- One-piece spinning fan cover, which is durable and can withstand large wind load.
- Drive mechanism support plate is made of anti-corrosion galvanized steel plate.
- Flashing: Stepped design prevents water seepage.
- Galvanized bird-proof net
- Sizes: 250、280、315、355、400、450、500、560、630、710、800、900 and 1000.
- Air volume: 399-36055m³/h
- Total pressure: 47-975Pa
- Suitable for installation on the roof of industrial and mining plants, civil buildings, shopping malls and other places for the purpose of extraction and exhaust.

> RCF 系列离心式屋顶风机
RCF Series Centrifugal Roof Fan

- 本系列风机类型为离心式上排风屋顶风机，采用铝制后倾离心式叶轮和铝合金材料的风机外壳
- 风机罩与外风筒：分别用厚铝板旋压而成，有卷边可承受外部强度，能承受较大的风载荷。
- 驱动机构支撑板：使用防腐的镀锌钢板制作。
- 泛水罩：泛水罩与进风口一体化拉伸成型设计防止渗水。
- 防鸟网：优质冷拉铁丝制作，坚固防锈。
- 本系列风机有 250、280、315、355、400、450、500、560、630、710、800、900、1000
- 风量范围：399-36055m³/h
- 全压范围：47-975Pa
- 使用场所：适合安装在工矿厂房、民用建筑、大型商场等场所的屋顶作为抽排风用途。

- Upblast type centrifugal roof fan which adopts backward centrifugal aluminum impeller and aluminum fan casing.
- Fan cover and outer housing: Made of thick aluminum plate, which can withstand external strength and large wind load.
- Drive mechanism support plate is made of anti-corrosion galvanized steel plate.
- The flashing and the air inlet are integrated and stretched to prevent water seepage.
- Anti-rust bird-proof net
- Sizes: 250、280、315、355、400、450、500、560、630、710、800、900、1000
- Air volume: 399-36055m³/h
- Total pressure: 47-975Pa
- Suitable for installation on the roof of industrial and mining plants, civil buildings, shopping malls and other places for the purpose of extraction and exhaust.



Belt Drive

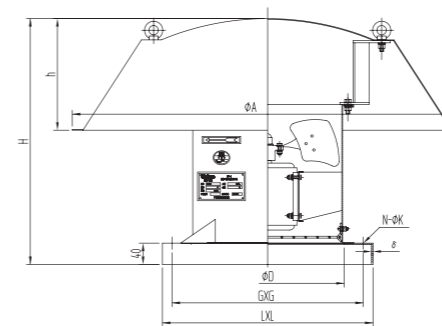


> DWT-I 型钢制屋顶轴流风机
DWT-I Axial Roof Fan

- 底座及风筒采用优质钢板，风帽采用优质铝板制作而成
- 适用于宾馆，饭店，影剧院，办公室，实验室，厂房，住宅等建筑物的通风换气
- 机号：3#、3.5#、4#、5#、6#、7#、8# 等 7 个

- The base and housing are made of high-quality steel plate. The cap is made of high-quality aluminum plate.
- Suitable for ventilation in hotel, theater, office, lab, factory, residence and so on.
- Models: 3#, 3.5#, 4#, 5#, 6#, 7#, 8# all in 7 models

外形尺寸图
Outline dimensions



型号 Model	Dimensions (mm)							
	ØA	H	h	ØD	LxL	GxG	N-ØK	δ
DWT-1-3#	Ø720	485	205	Ø320	440x440	400x400	4-Ø10	3
DWT-1-3.5#	Ø720	485	205	Ø370	480x480	440x440	4-Ø10	3
DWT-1-4#	Ø720	525	205	Ø420	520x520	470x470	4-Ø14	3
DWT-1-5#	Ø1124	610	270	Ø520	700x700	650x650	4-Ø14	3
DWT-1-6#	Ø1124	680	270	Ø620	900x900	770x770	4-Ø14	3
DWT-1-7#	Ø1334	770	310	Ø720	1000x1000	900x900	4-Ø14	5
DWT-1-8#	Ø1480	800	360	Ø820	1100x1100	1000x1000	4-Ø14	5

型号 Model	额定电压 Voltage & frequency	功率 Power (KW)	转速 Speed (rpm)	风量 Air flow (m ³ /h)	全压 Total pressure (Pa)	噪声 Noise (dB)
DWT-1-3#	380V/50Hz	0.08	1420	1600	65	< 65
	220V/50Hz	0.08	1420	1600	65	< 65
DWT-1-3.5#	380V/50Hz	0.37	1420	3700	130	< 67
	220V/50Hz	0.37	1420	3700	130	< 67
DWT-1-4#	380V/50Hz	0.55	1420	5300	166	< 72
	220V/50Hz	0.55	1420	5300	166	< 72
DWT-1-5#	380V/50Hz	0.37	960	7700	98	< 68
	380V/50Hz	0.75	1420	9300	196	< 74
DWT-1-6#	380V/50Hz	1.1	960	13000	176	< 71
	380V/50Hz	2.2	1420	18700	294	< 75
DWT-1-7#	380V/50Hz	2.2	1420	18700	294	< 75
	380V/50Hz	2.2	960	23000	195	< 75
DWT-1-8#	380V/50Hz	3	1420	24500	315	< 78
	220V/50Hz	2.2	1420	24000	300	< 78
DWT-1-8#	380V/50Hz	2.2	960	28000	196	< 78
	380V/50Hz	4	1420	30000	345	< 81

圆形管道换气扇

Circular In-line Duct Fan

- 专利号: ZL 2021 2 1126214.5 / ZL 2021 2 1293047.3
- 大吸力排风循环系统, 优质镀锌板金属机壳, 优化的进风口设计, 低噪、耐用
- 直连式离心管道设计, 容量大、耐受高压
- 高速节能 EC 外转子电机, 搭配滚珠轴承, 运行平稳。
- 采用软启动, 无级调速, 恒功率控制。
- 惯性大, 电机负载轻、磨损小, 温升高、效率高、使用寿命长。
- 具有过热保护, 短路保护, 堵转保护, 过流保护等功能。
- 后弯式一体塑胶风轮, 大风量, 高静压, 重量轻, 动平衡效果好, 阻燃性能好。
- 外置式密封阻燃线盒, 防火防水防尘, 接线拆装便捷。
- 适用场所: 室内通风换气或管道加压, 如宾馆酒店、商场娱乐场所、餐厅饭店、工矿企业等。

- Patent number: ZL 2021 2 1126214.5 / ZL 2021 2 1293047.3
- Large suction exhaust air circulation system with high quality galvanized sheet metal case and optimize designed inlet, low noise and durable use.
- In-line centrifugal duct design, large capacity, high pressure tolerance.
- High speed EC external rotor motor with ball bearing, smooth operation and energy-saving.
- The motor adopts soft start, step-less speed control and constant power control.
- Large inertia, light motor load and small wear. Low temperature rising, high efficiency and long durability.
- Excellent protections of overheating, short circuit, over-current, locked rotor.
- Backward integrated plastic impeller is large air volume, high static pressure, light weight, good dynamic balancing and good flame retardancy.
- External and sealed flame resistant cable box, good performance of fireproof, dust-proof and waterproof, convenient to assemble and disassemble.
- Suitable for hotels, shopping malls, entertainment places, restaurants, industrial and mining enterprises, etc.



CDF10-35E, CDF12-35E
CDF10-35A, CDF12-35A



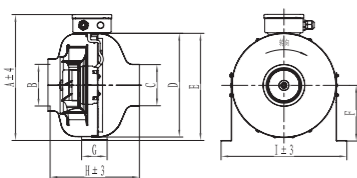
CDF15-45E, CDF16-45E
CDF15-45A, CDF16-45A



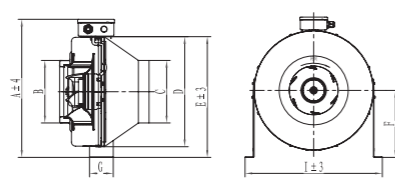
CDF20-66E, CDF25-66E, CDF31-66E
CDF20-66A, CDF25-66A, CDF31-66A

外形尺寸图

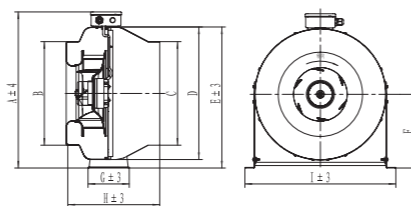
Outline dimensions



CDF10-35E, CDF12-35E
CDF10-35A, CDF12-35A



CDF15-45E, CDF16-45E
CDF15-45A, CDF16-45A



CDF20-66E, CDF25-66E, CDF31-66E
CDF20-66A, CDF25-66A, CDF31-66A

型号 Model	额定电压 Voltage Frequency	VAC V	功率 Power W	电流 Current (A)	转速 Speed r/min	风量 Air flow m ³ /h	静压 Static pressure Pa	噪音 Noise dB(A)	最大效率点功率 Maximum efficiency point power (W)	最大效率 Maximum efficiency %	认证 Certificates
CDF10-35E	230V-240V Or 100V-127V	10	39	0.35	2800	265	355	62	29.1	27.17	CB CE
		8	25	0.24	2400	235	259	59	21.4	24.85	
		6	12.5	0.14	1800	179	148	52	10.8	21.08	
CDF12-35E	230V-240V Or 100V-127V	10	40	0.35	2800	337	357	62	35.5	30.31	
		8	24	0.23	2400	281	254	59	22.2	28.94	
		6	12	0.14	1800	214	147	51	11.2	30.58	
CDF15-45E	230V-240V Or 100V-127V	10	42	0.37	2820	469	348	62	42.2	30.58	
		8	27.5	0.25	2400	408	251	58	28.4	30.21	
		6	13.5	0.15	1800	306	142	50	14.1	26.05	
CDF16-45E	230V-240V Or 100V-127V	10	42	0.37	2800	495	344	61	42.3	31.18	
		8	25.5	0.25	2400	428	245	58	29.1	32.93	
		6	13.5	0.14	1800	326	142	50	14.4	29.01	
CDF20-66E	230V-240V Or 100V-127V	10	112.5	0.89	2850	989	566	68	128.3	41.67	
		8	66.5	0.55	2400	847	394	63	79.5	41.81	
		6	30	0.26	1800	612	219	56	34.1	38.87	
CDF25-66E	230V-240V Or 100V-127V	10	117.5	0.93	2750	1071	581	68	128.4	44.12	
		8	70.5	0.58	2400	887	411	64	84.9	43.63	
		6	31	0.28	1800	653	226	57	53.3	40.52	
CDF31-66E	230V-240V Or 100V-127V	10	127.5	0.98	2750	1377	710	71	126.4	46.73	
		8	82	0.67	2400	1173	497	68	125.7	45.56	
		6	35	0.31	1800	887	273	60	53.3	44.63	

型号 Model	额定电压 Voltage V	频率 Frequency Hz	功率 Power W	转速 Speed r/min	风量 Air flow m ³ /h	静压 Static pressure Pa	噪音 Noise dB(A)	认证 Certificates
CDF10-35A	220	50	75	2460	270	270	58	CB CE
CDF12-35A	220	50	75	2350	350	286	58	
CDF15-45A	220	50	95	2420	540	340	64	
CDF16-45A	220	50	135	2640	590	334	65	
CDF20-66A	220	50	140	2600	1020	520	65	
CDF25-66A	220	50	160	2390	1120	500	66	
CDF31-66A	220	50	190	2380	1510	613	67	

型号 Model	Dimensions (mm)									认证 Certificates
	A	B	C	D	E	F	G	H	I	
CDF10-35E CDF10-35A	297	98	98	243	251	130	60	219	293	CB CE
CDF12-35E CDF12-35A	297	123	123	243	251	130	60	222	293	
CDF15-45E CDF15-45A	350	148	148	276	304	166	60	232	326	
CDF16-45E CDF16-45A	350	158	158	276	304	166	60	232	326	
CDF20-66E CDF20-66A	397	198	198	332	351	185	125	259	392	
CDF25-66E CDF25-66A	397	248	248	332	351	185	125	259	392	
CDF31-66E CDF31-66A	472	313	313	402	426	225	125	289	462	

